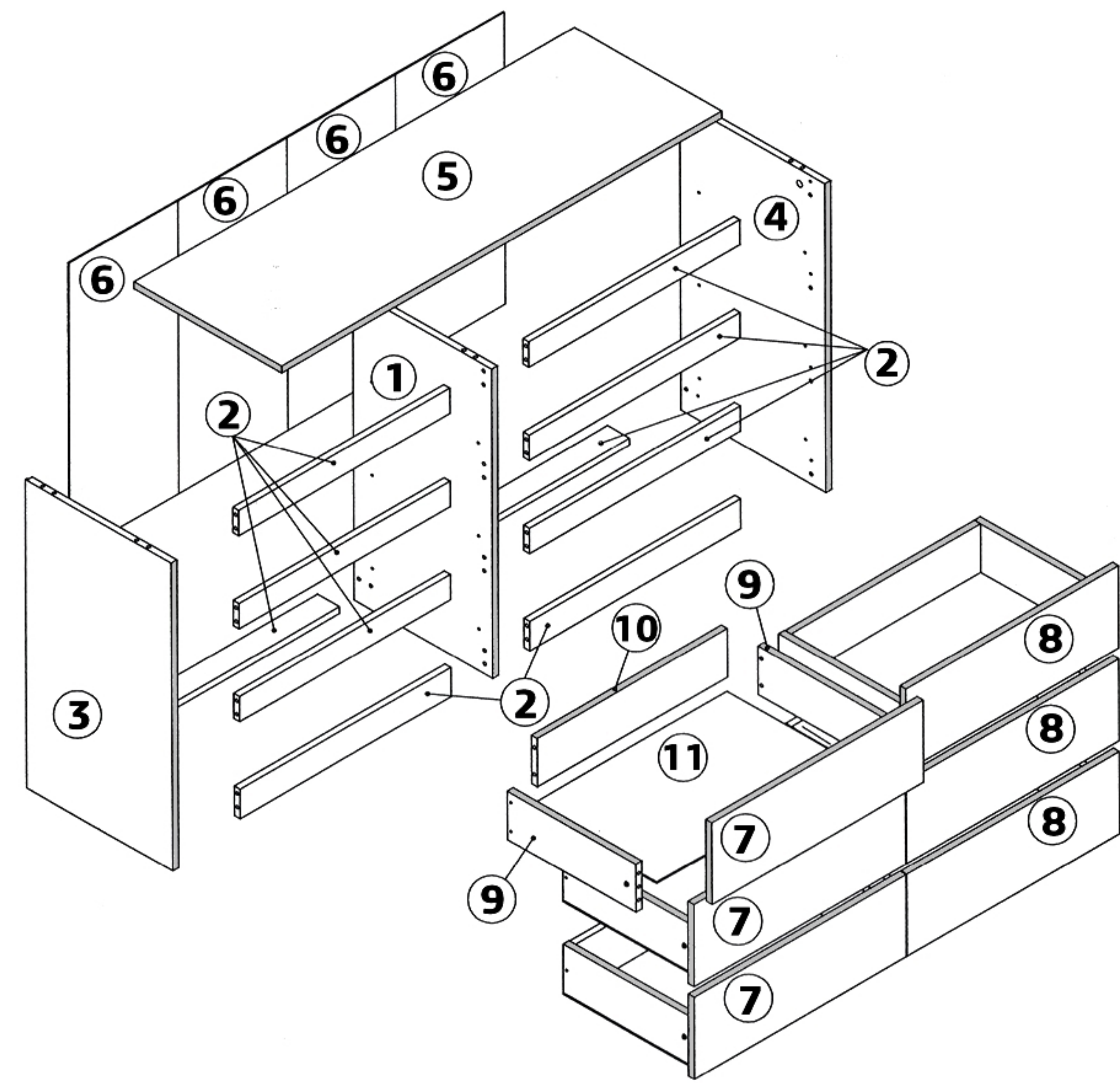
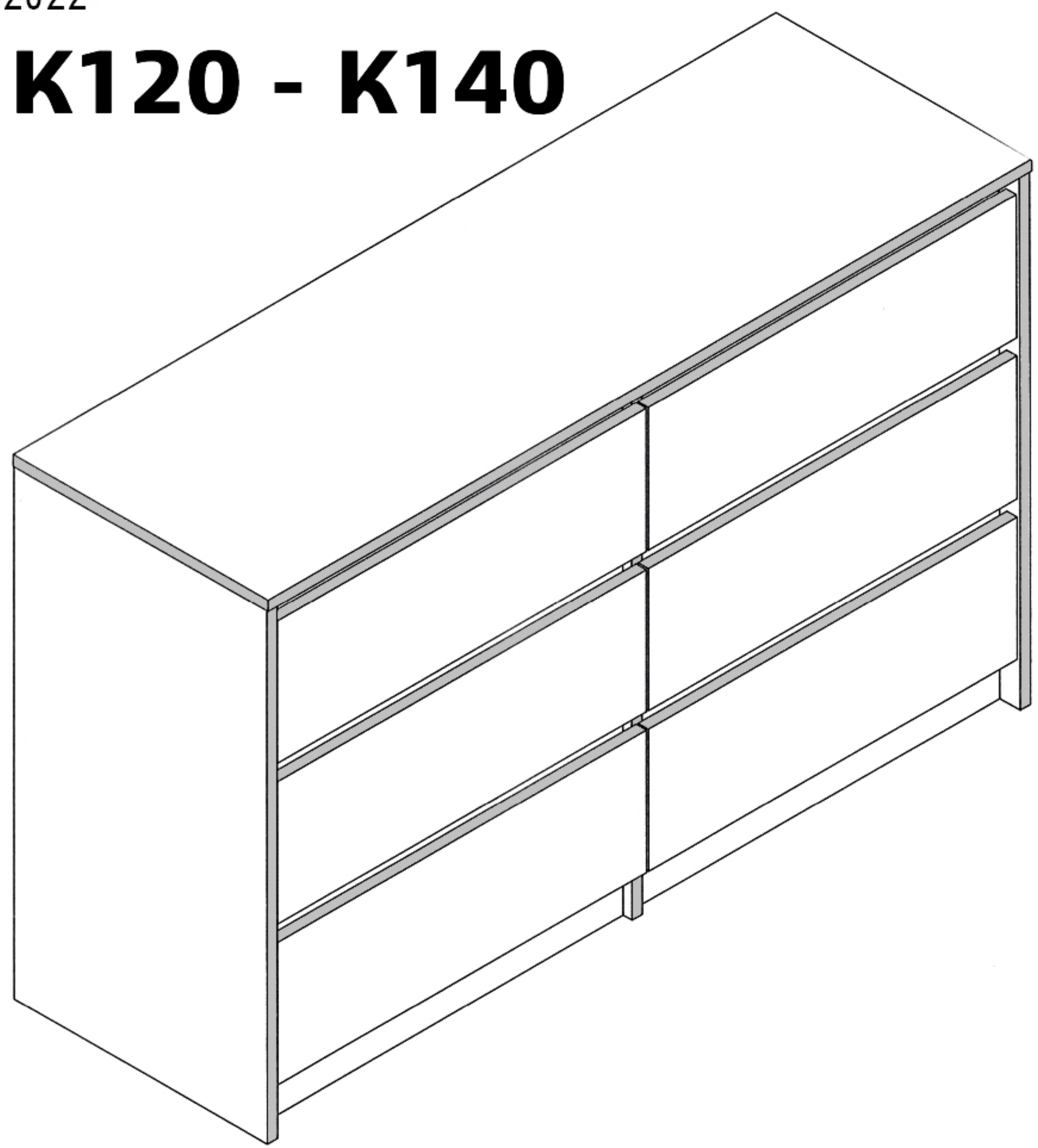
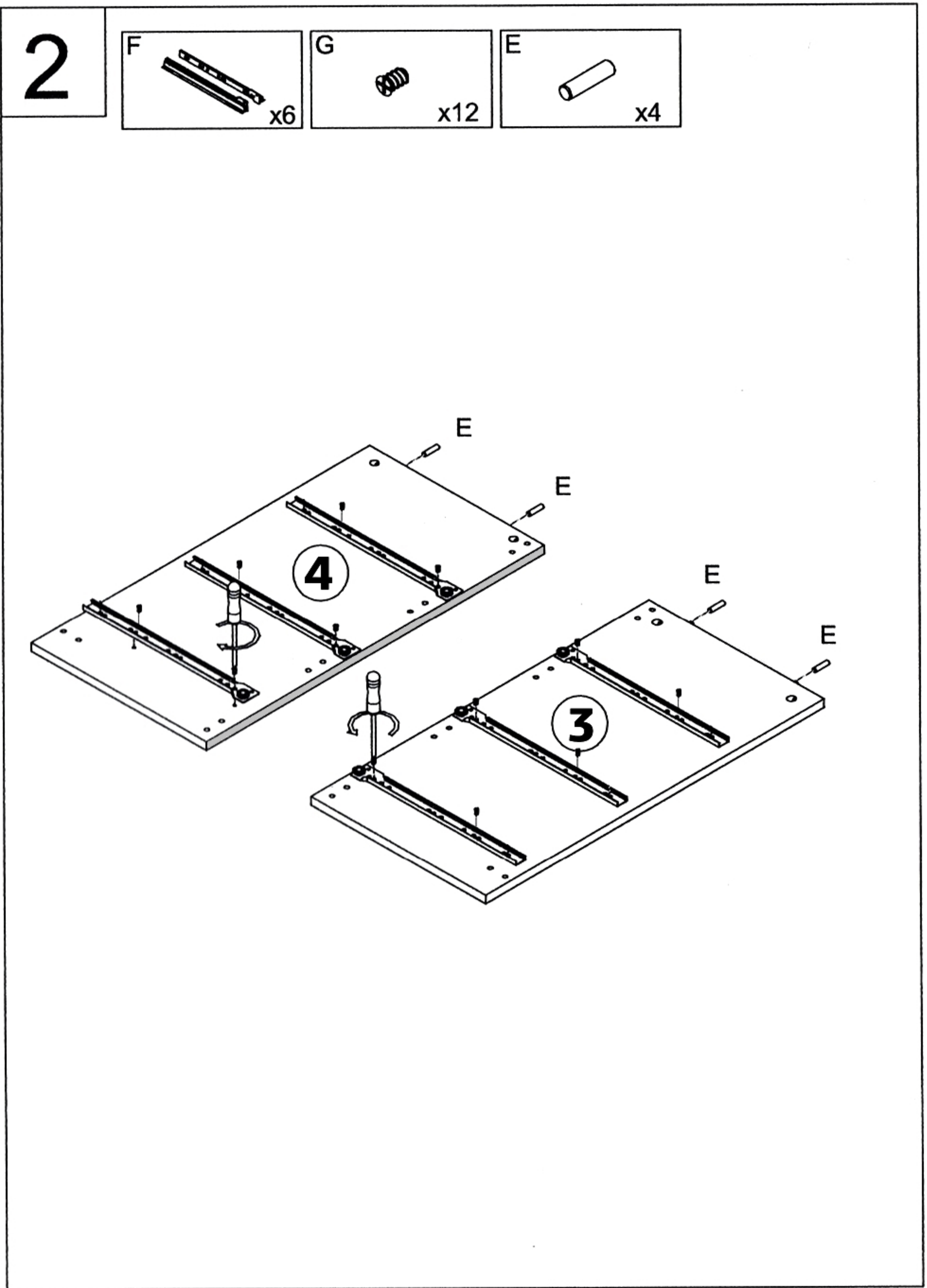
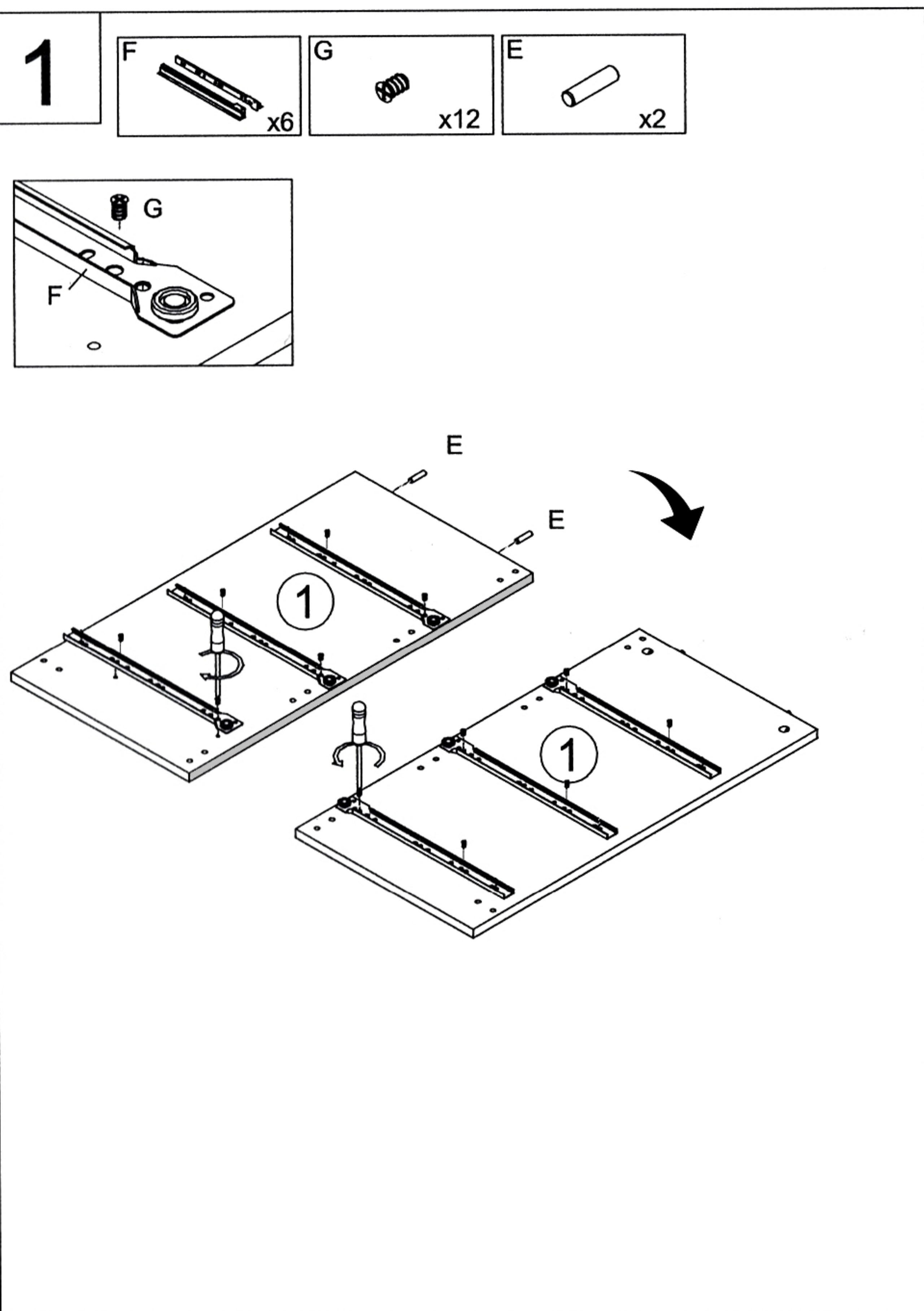
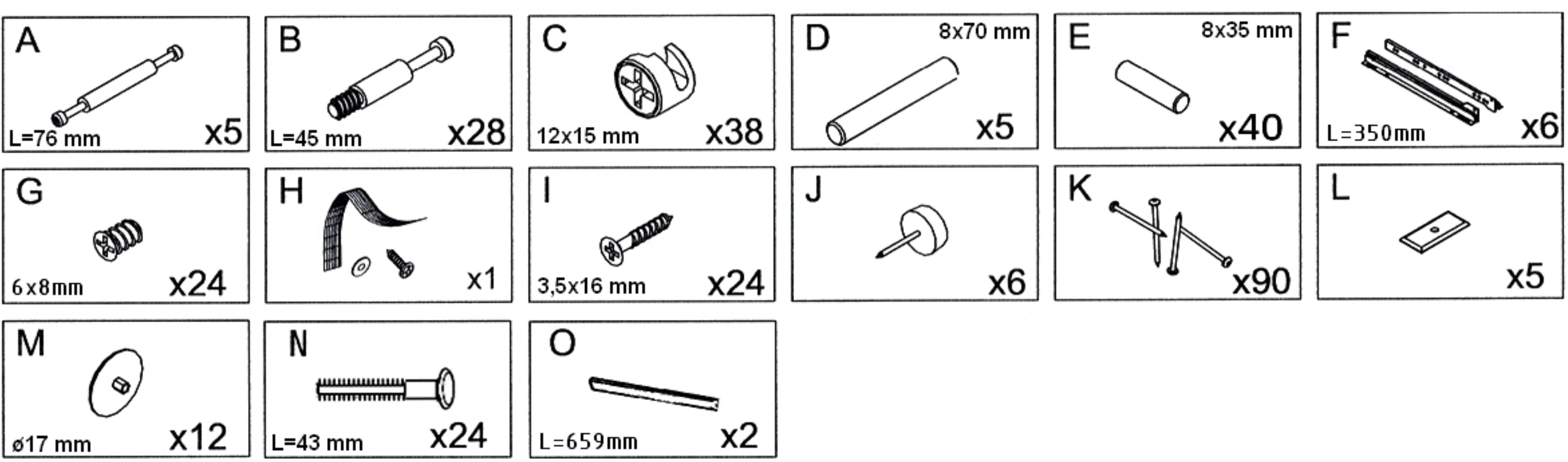


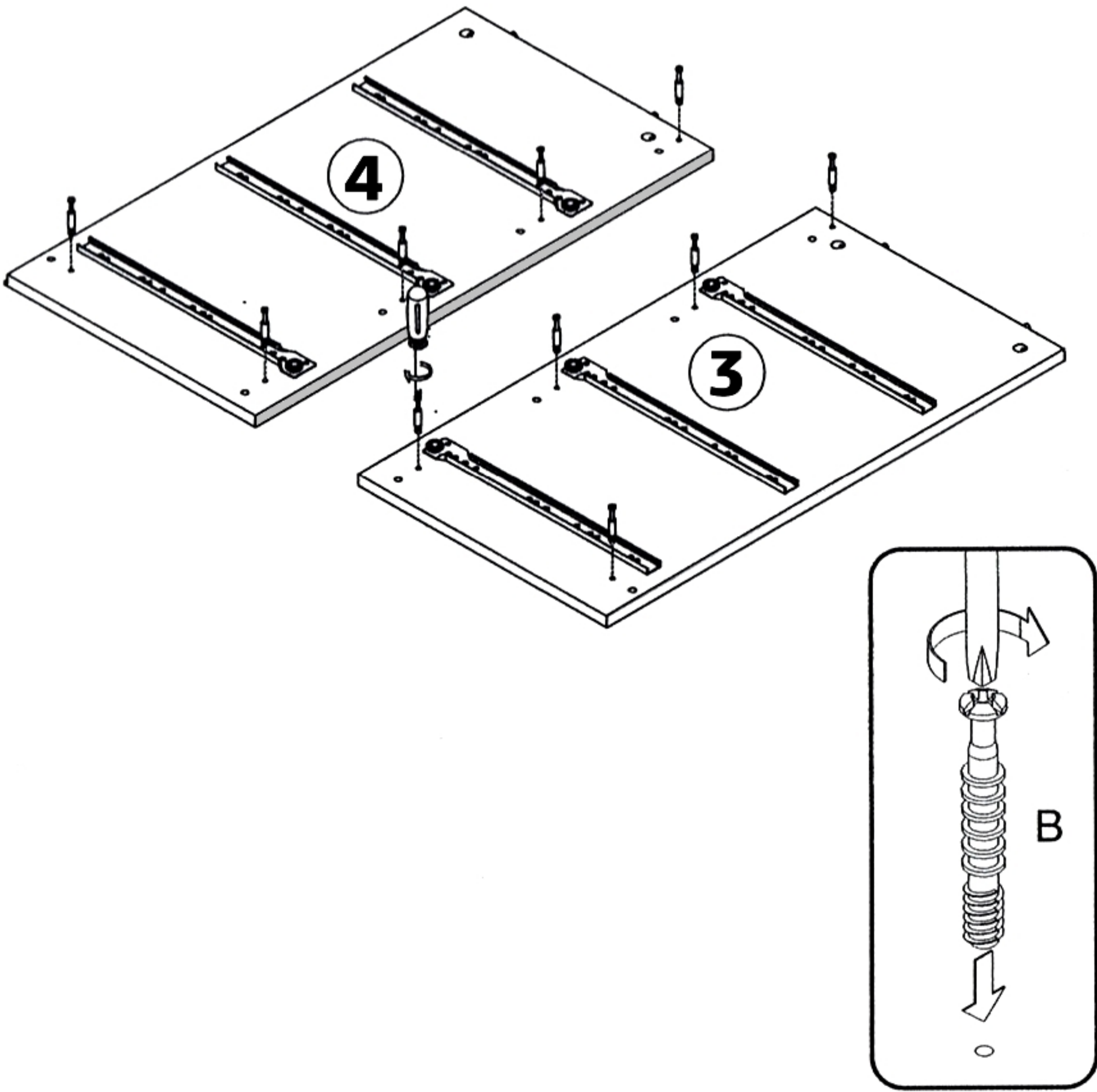
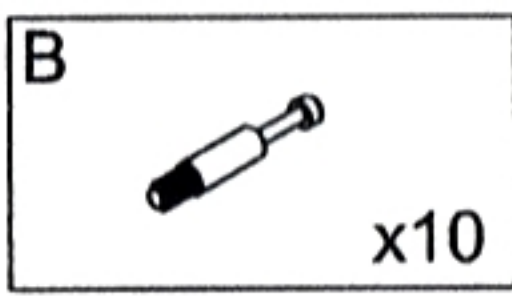
K120 - K140



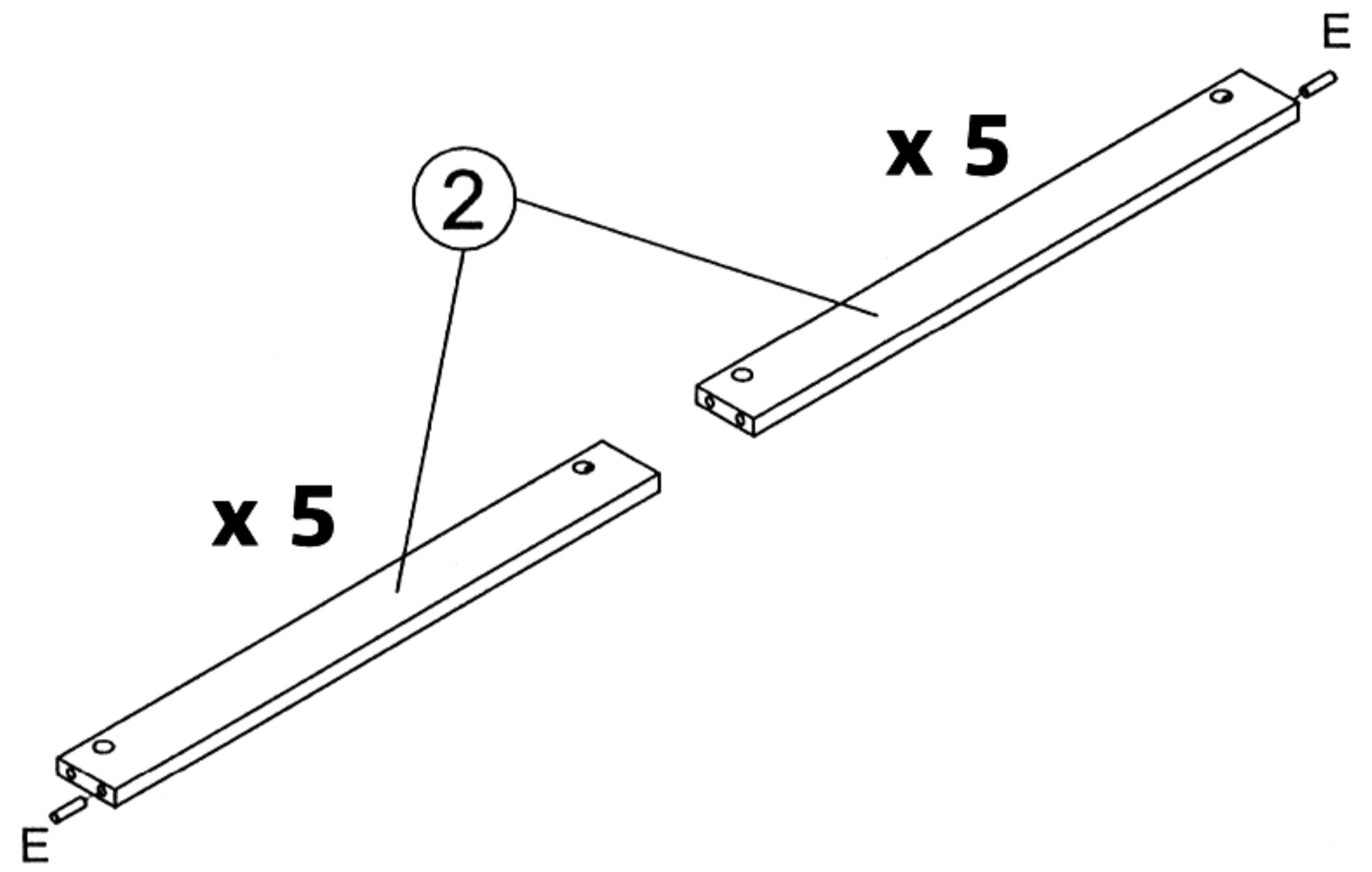
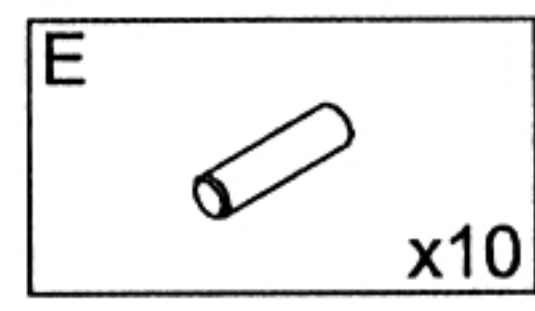
1	x	1
2	x	10
3	x	1
4	x	1
5	x	1
6	x	4
7	x	3
8	x	3
9	x	12
10	x	6
11	x	6



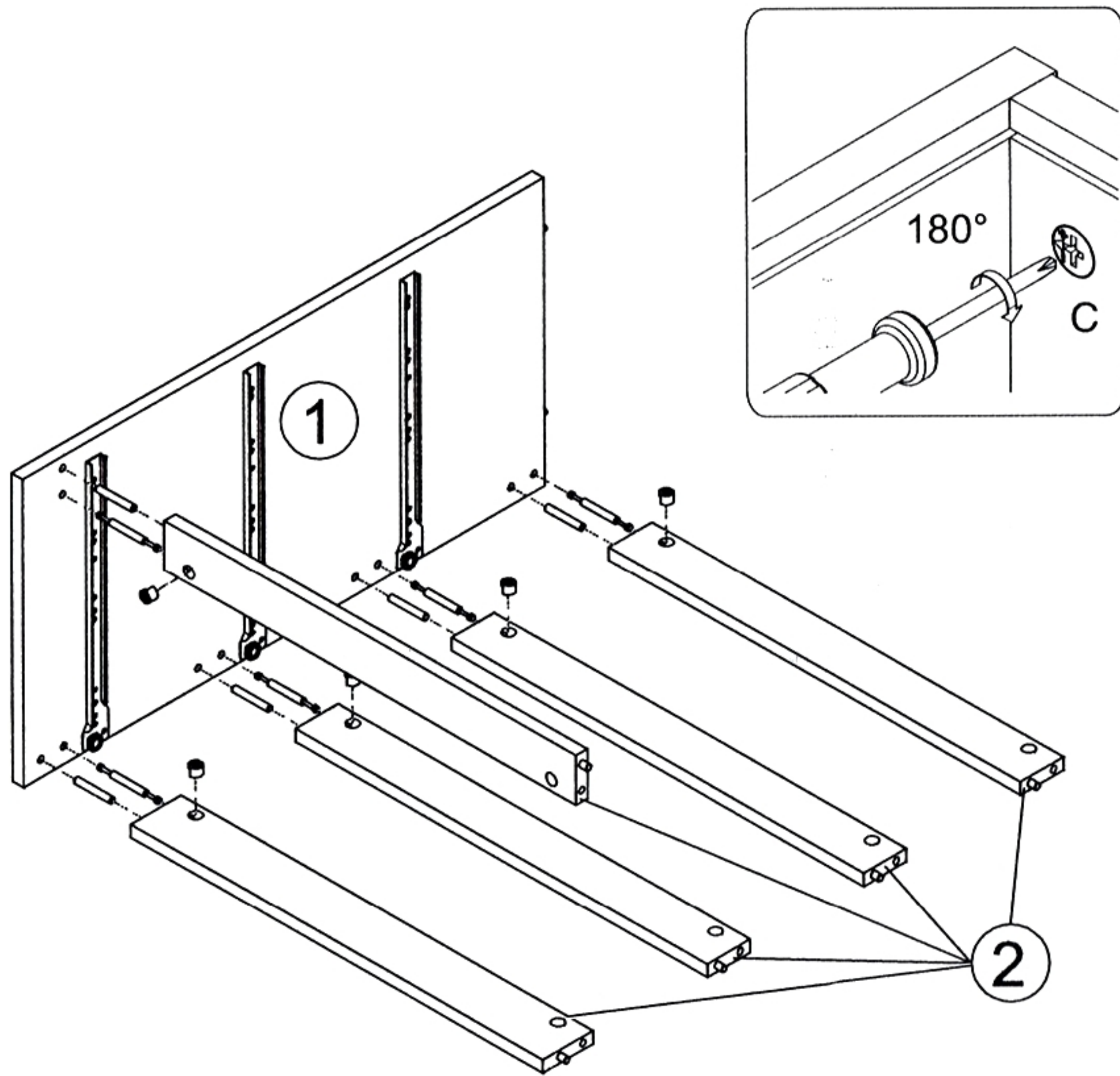
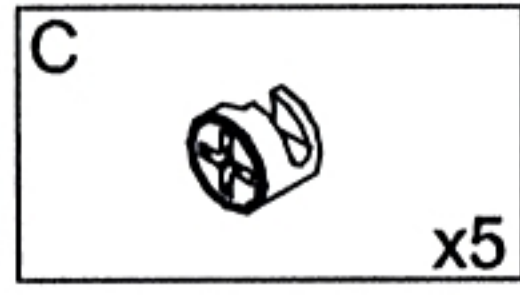
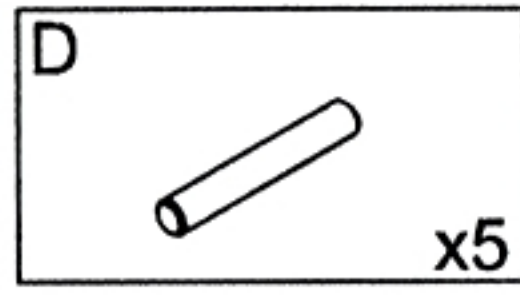
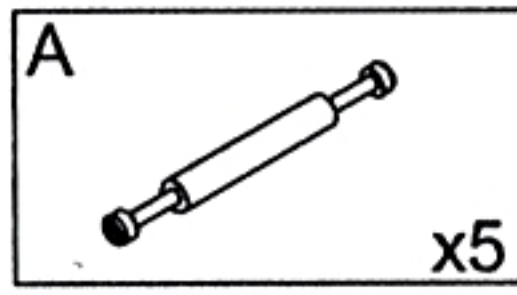
3



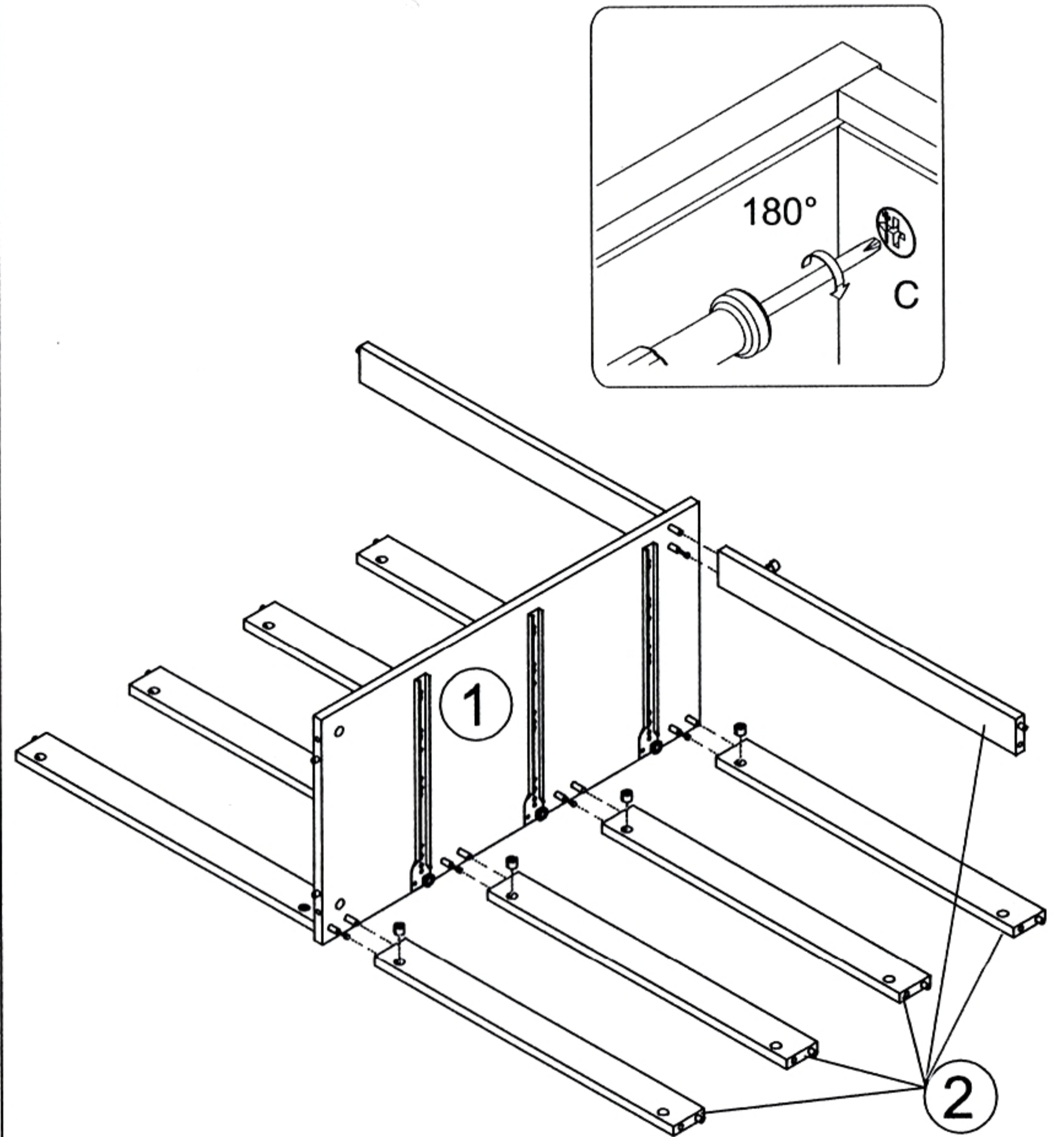
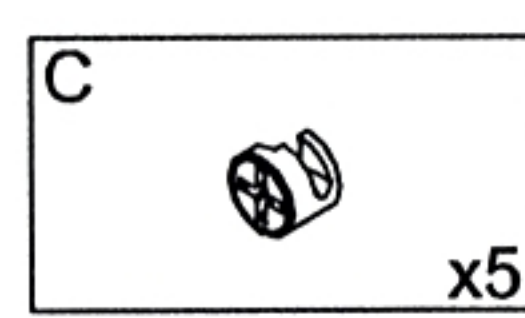
4



5

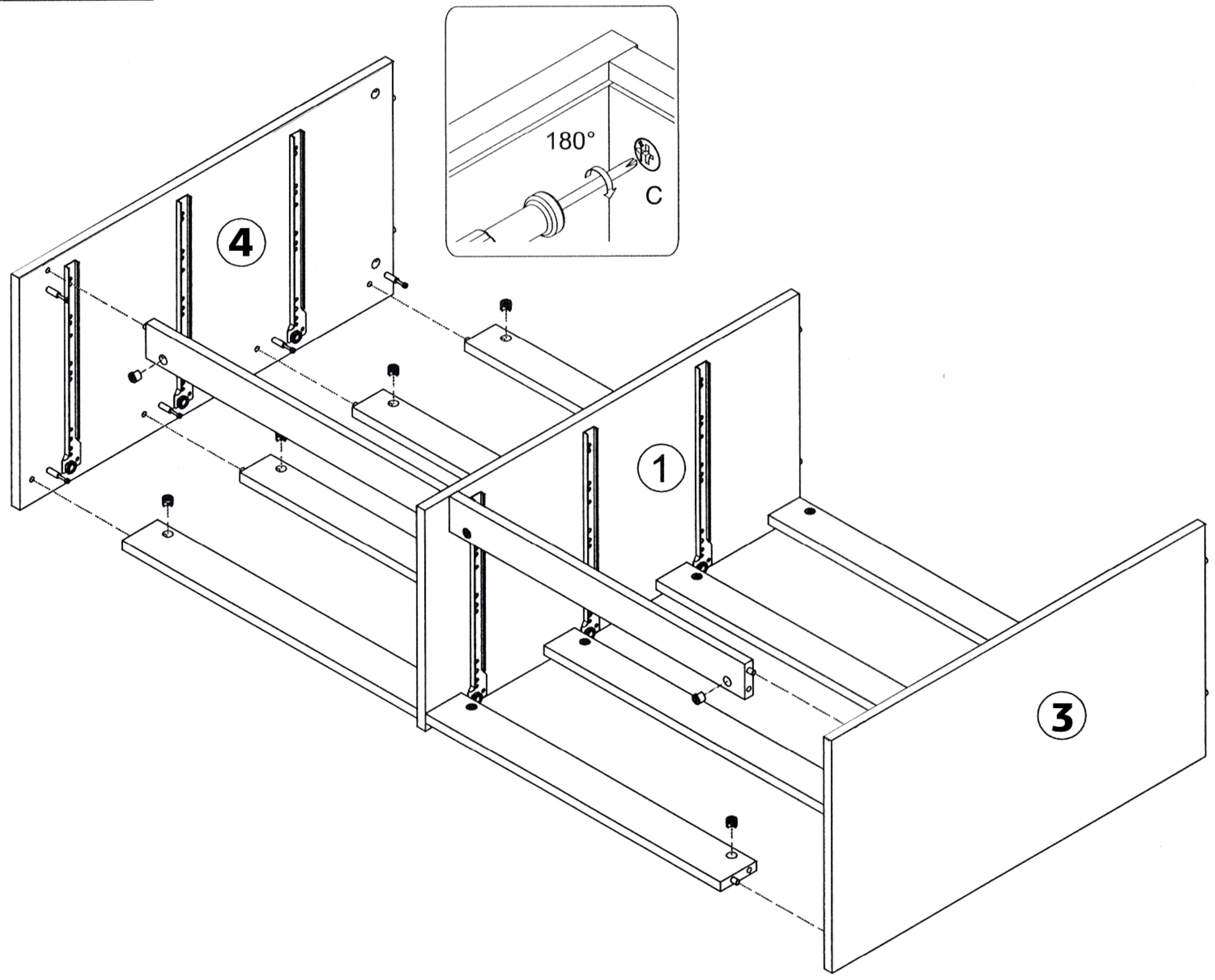


6



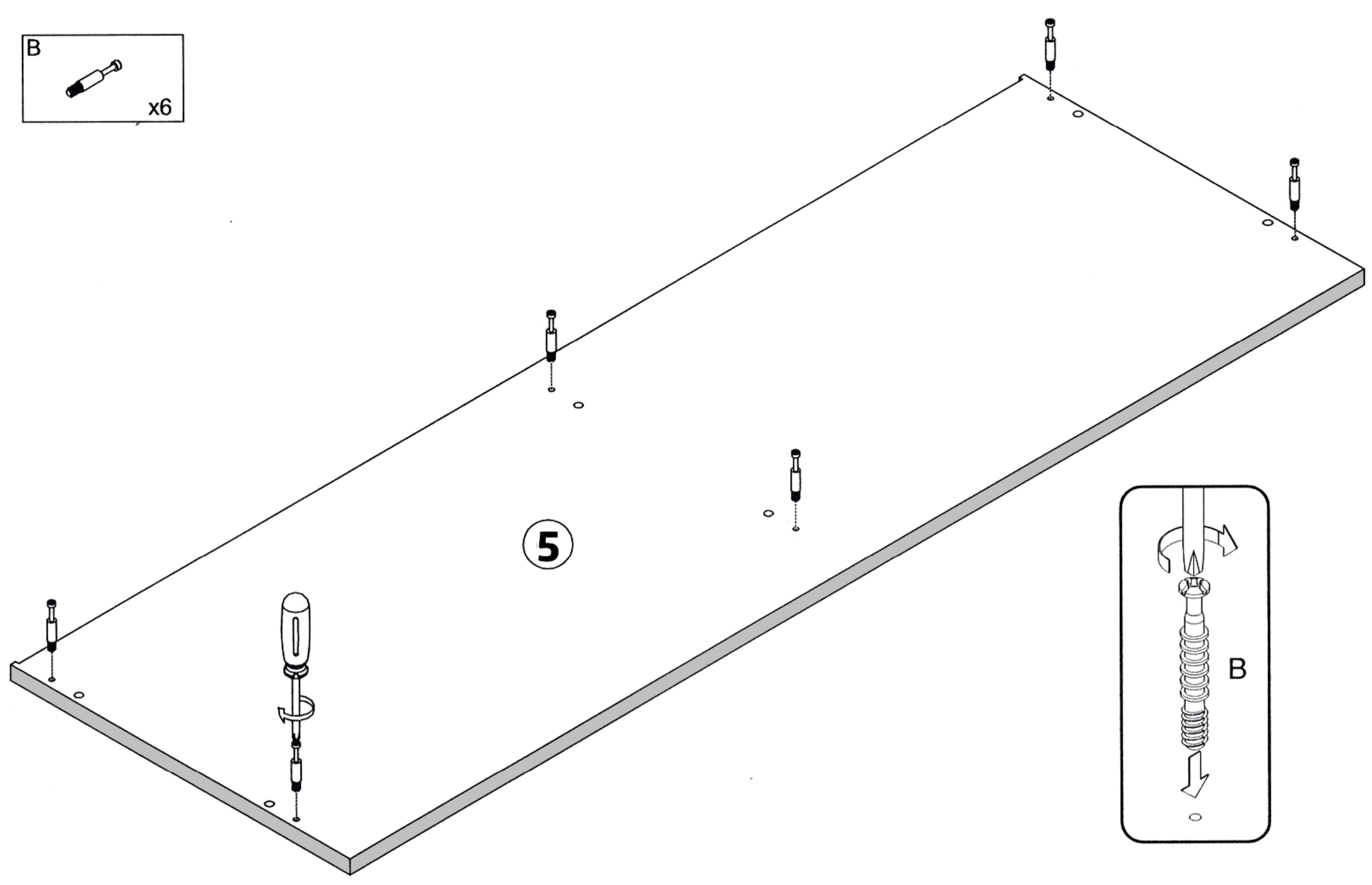
7

C
x10

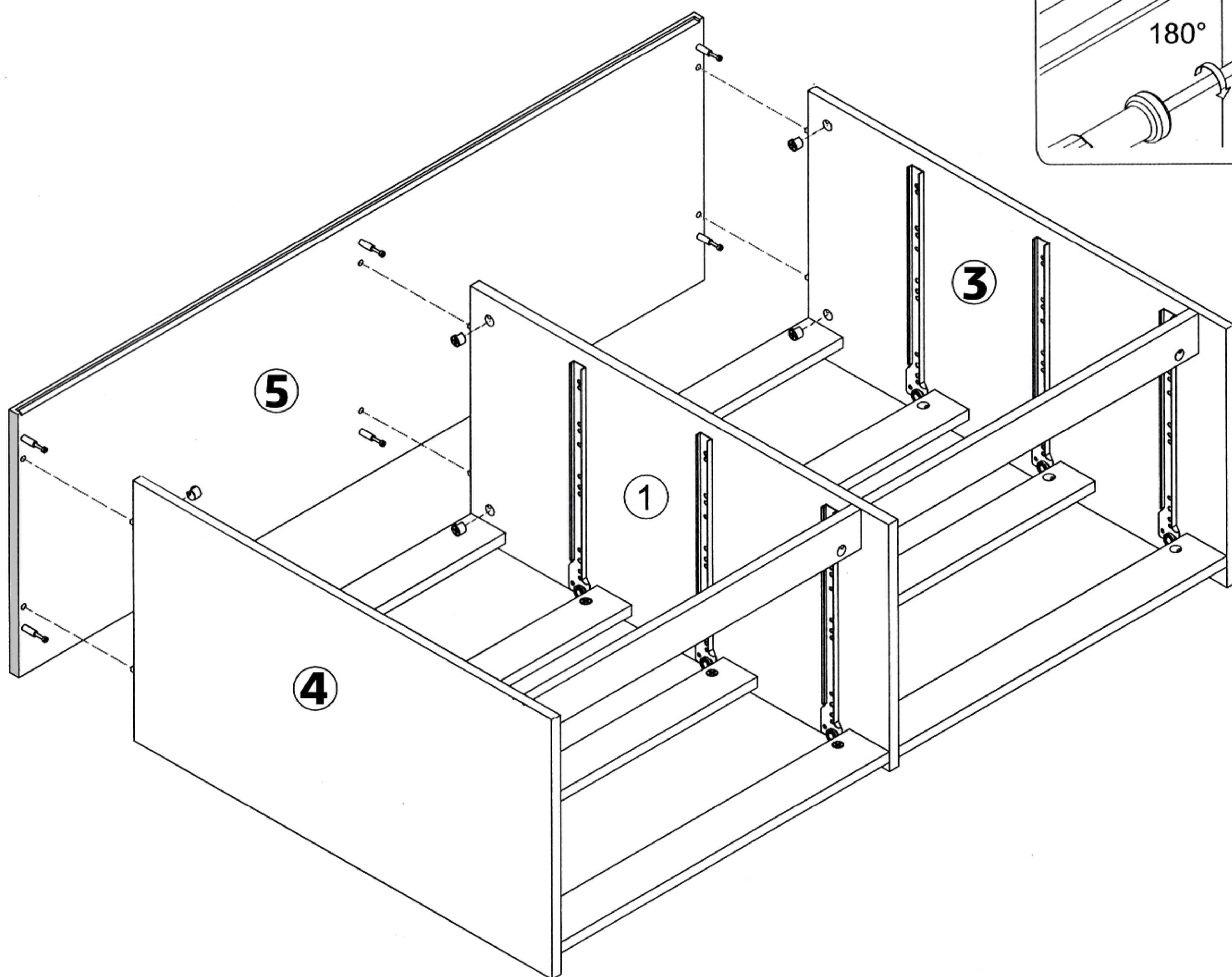
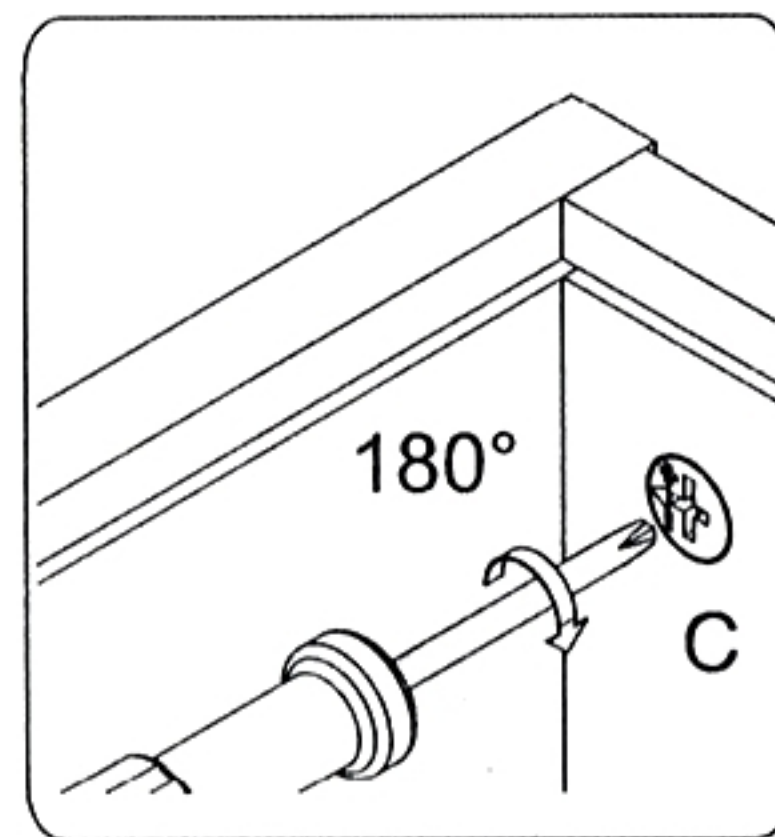
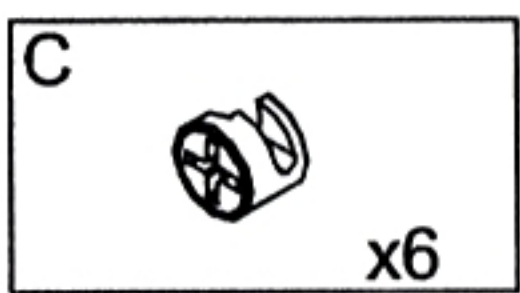


8

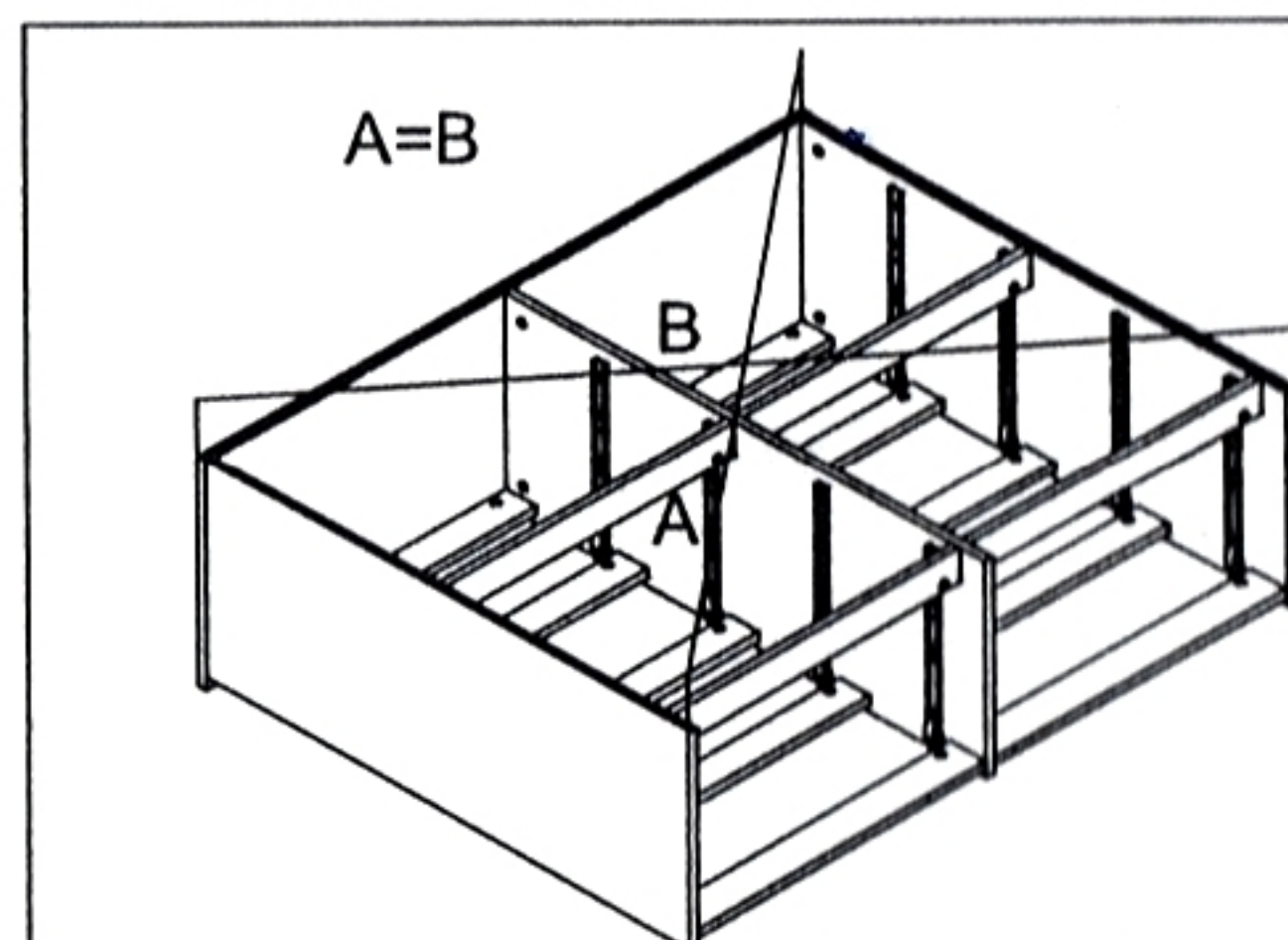
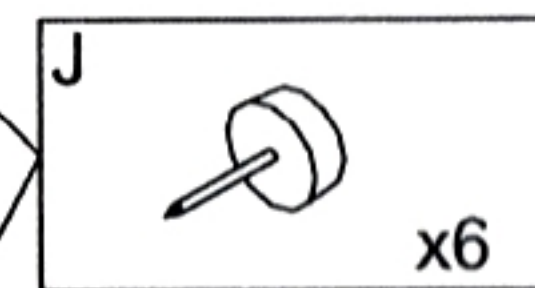
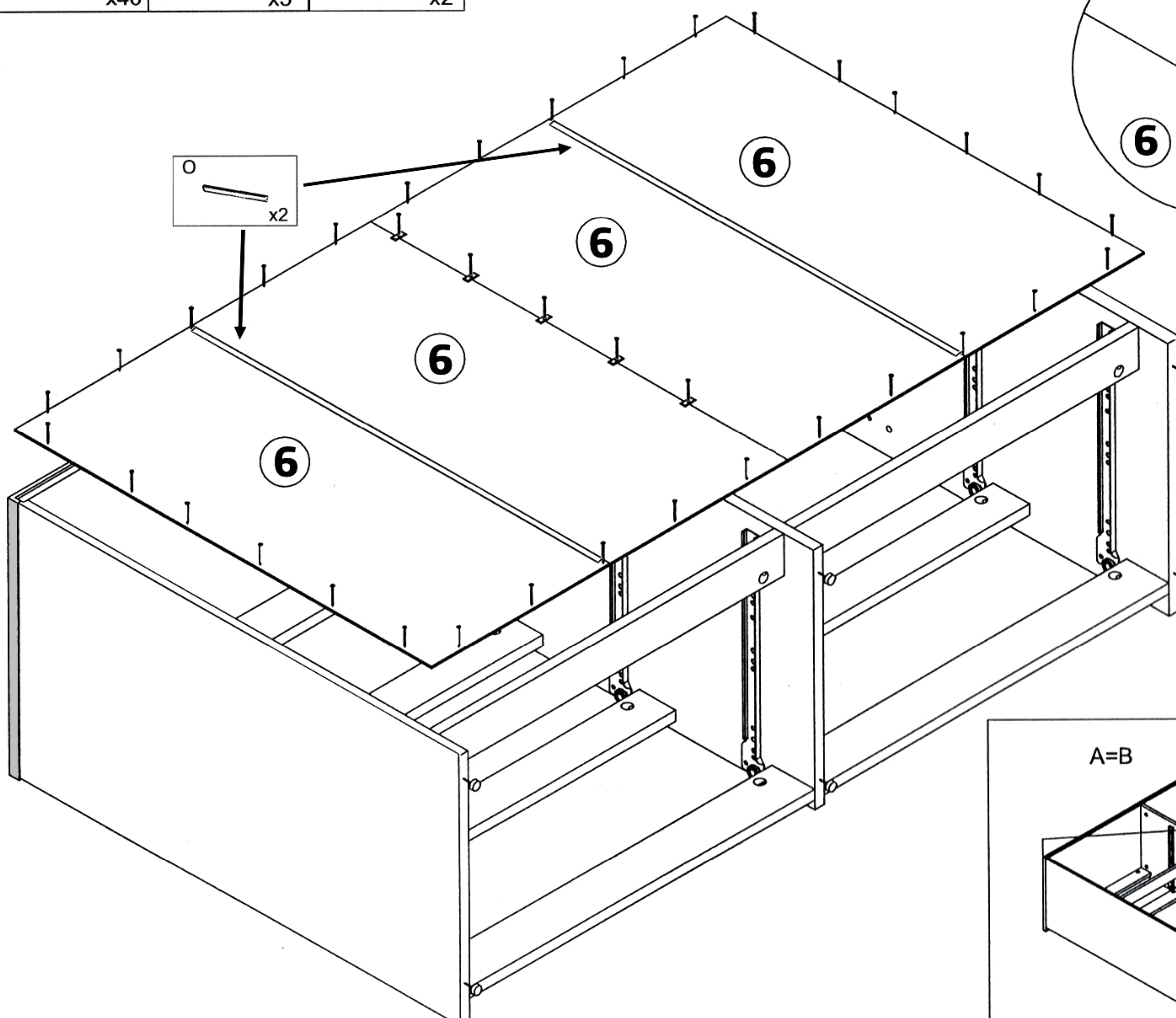
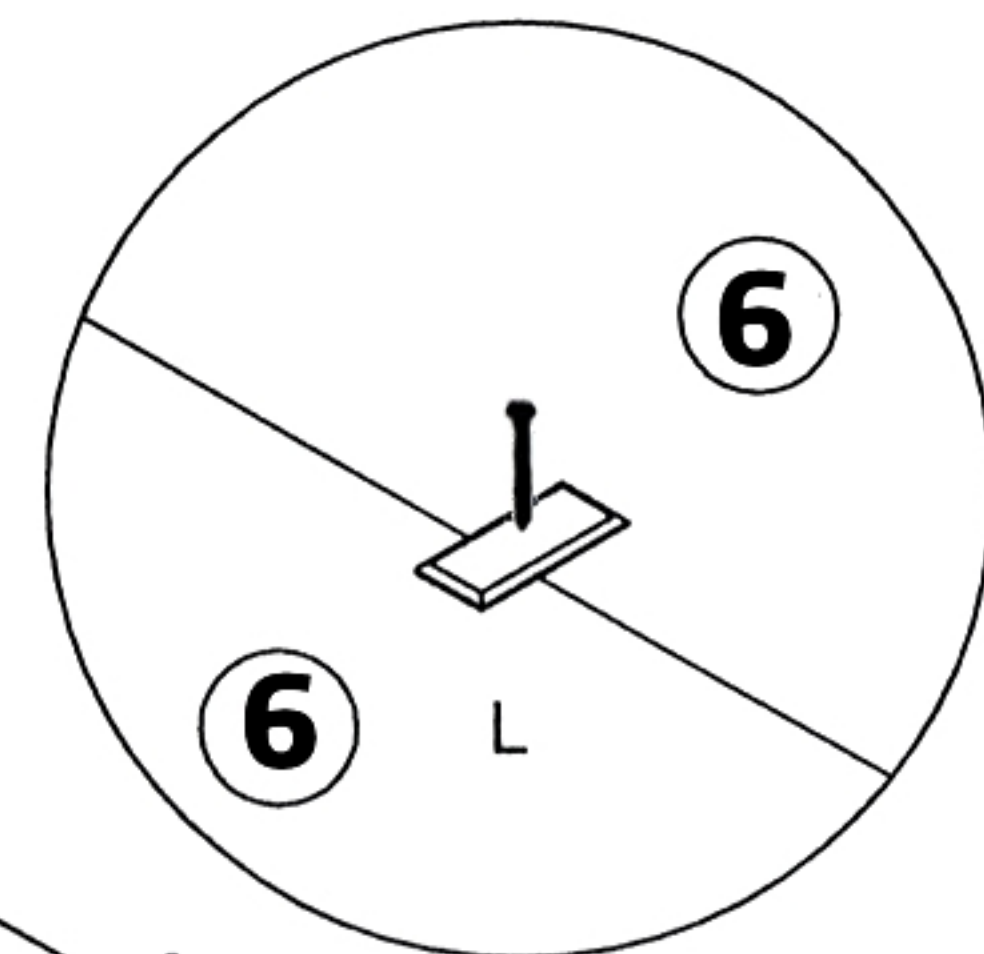
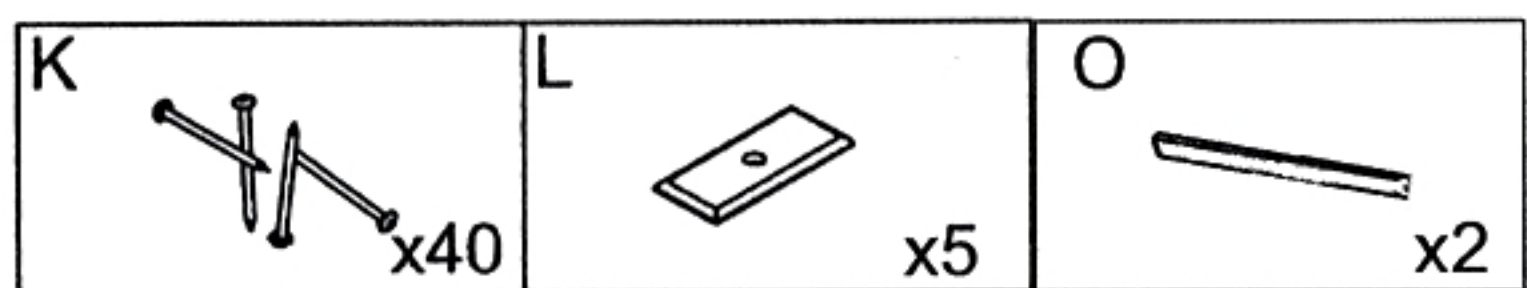
B
x6



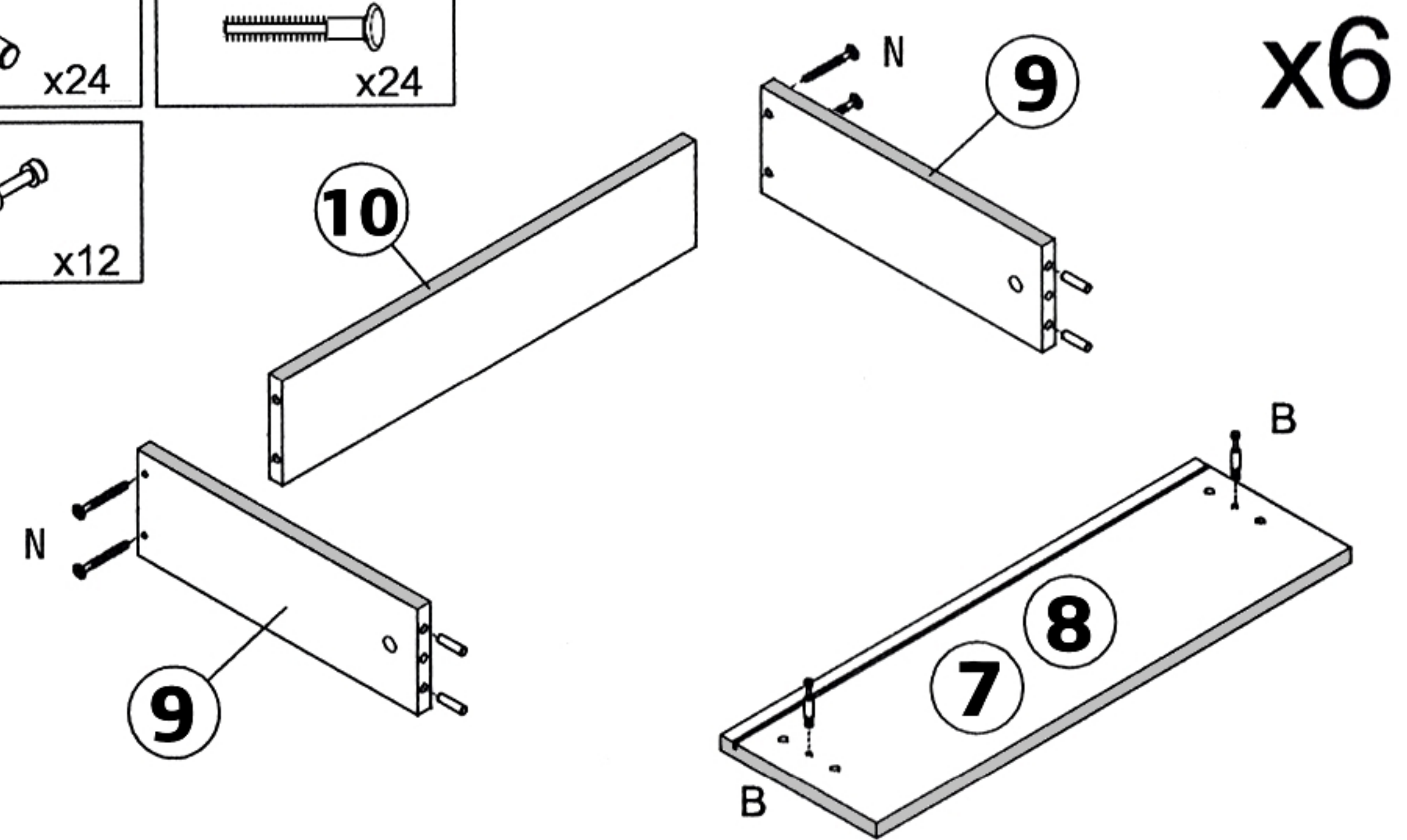
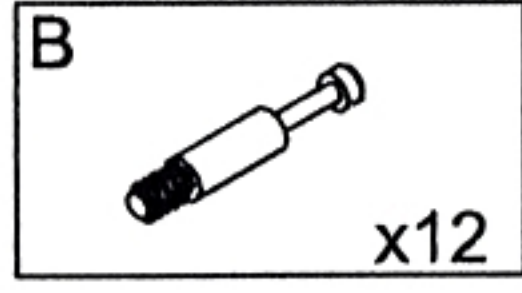
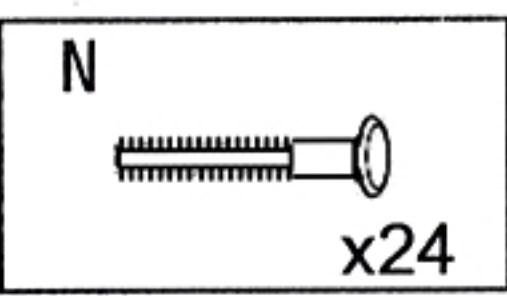
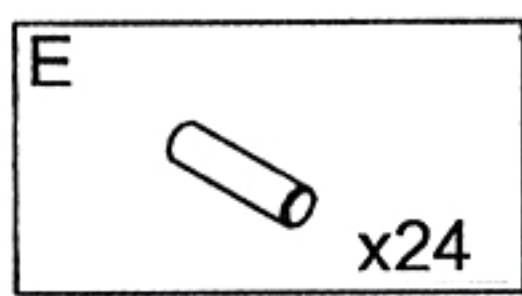
9



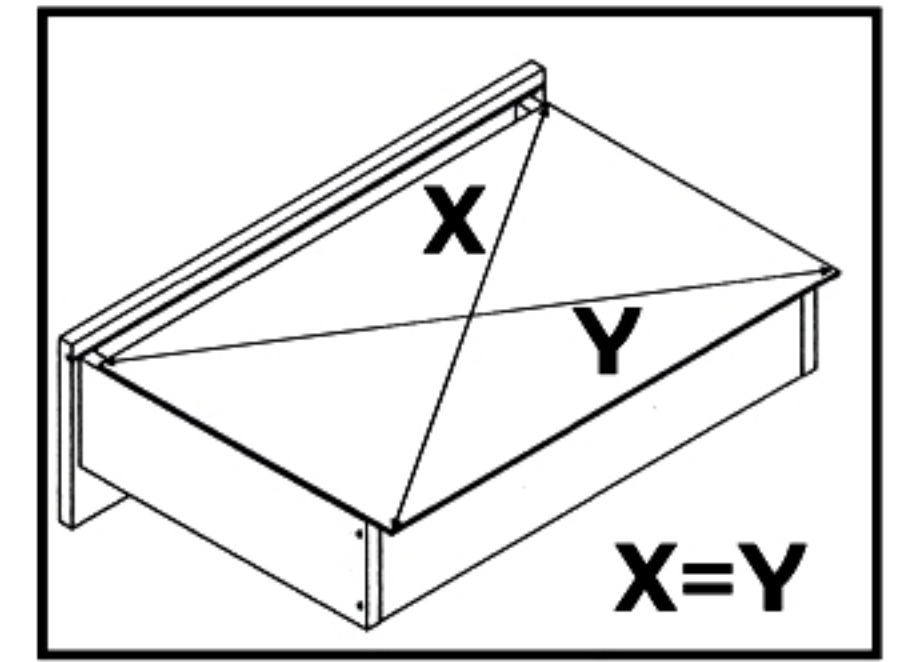
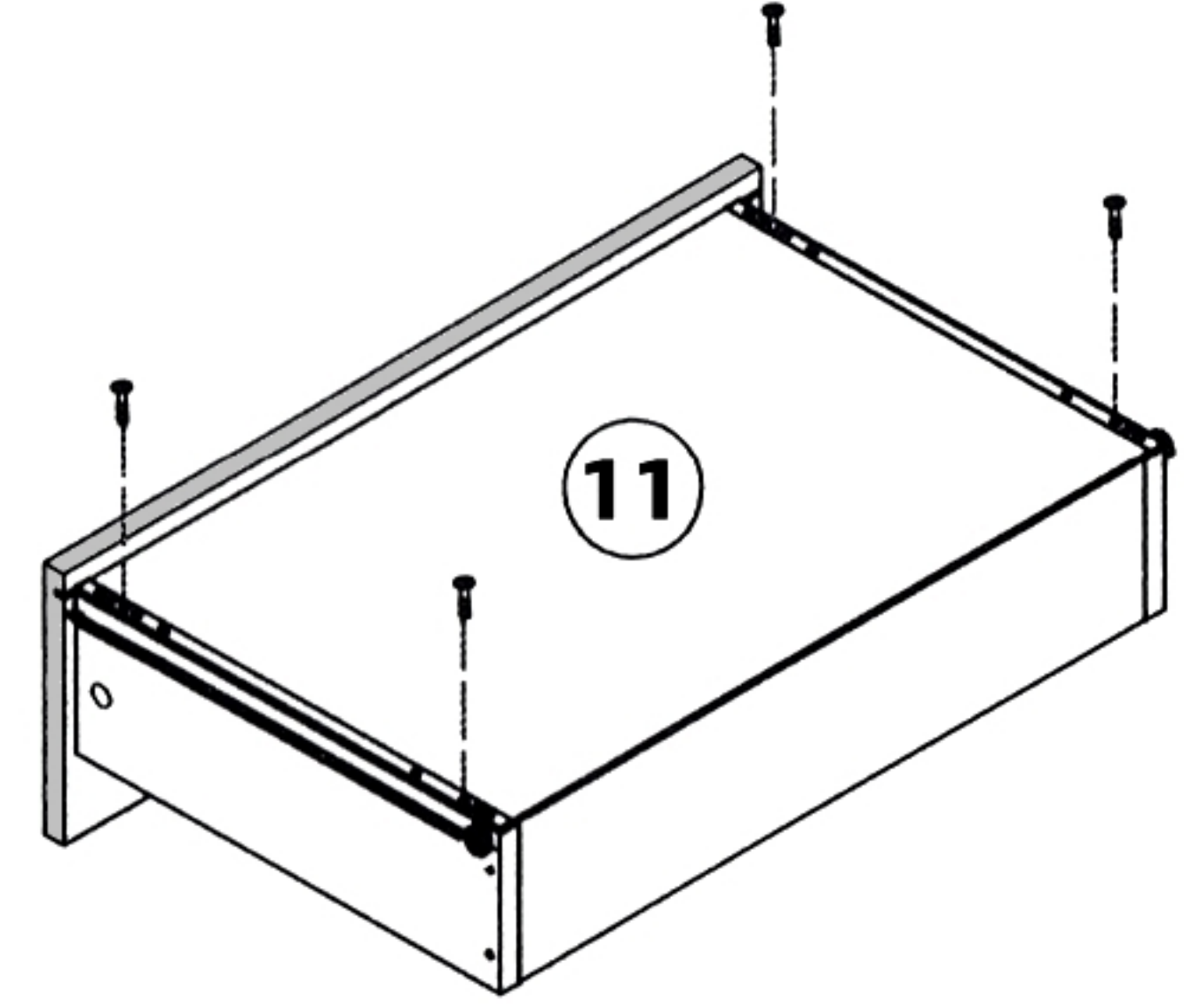
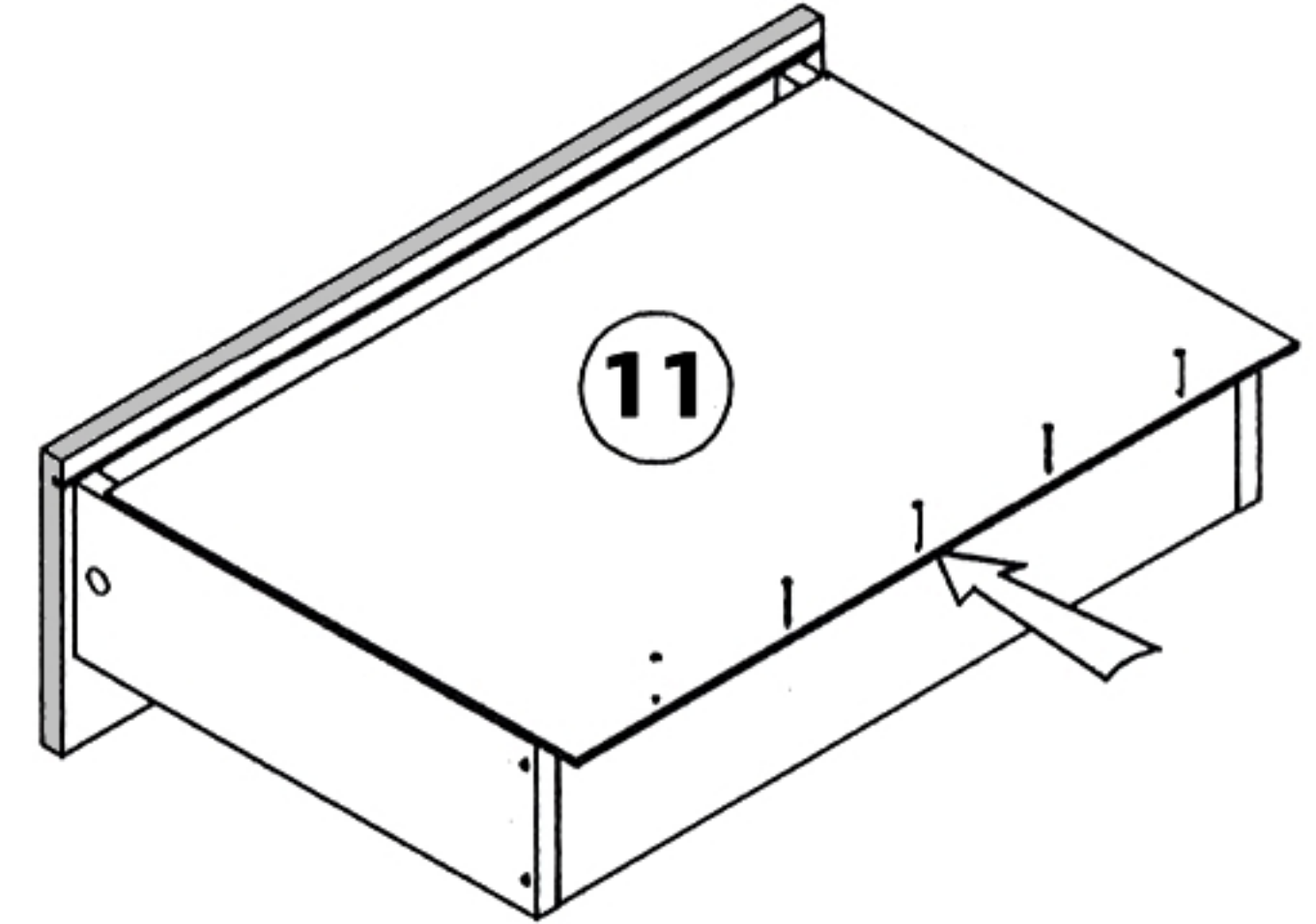
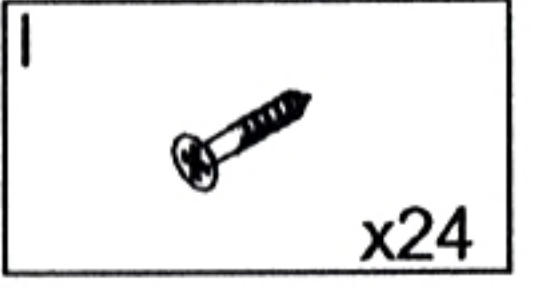
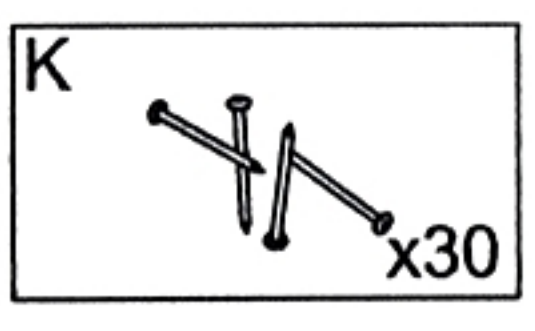
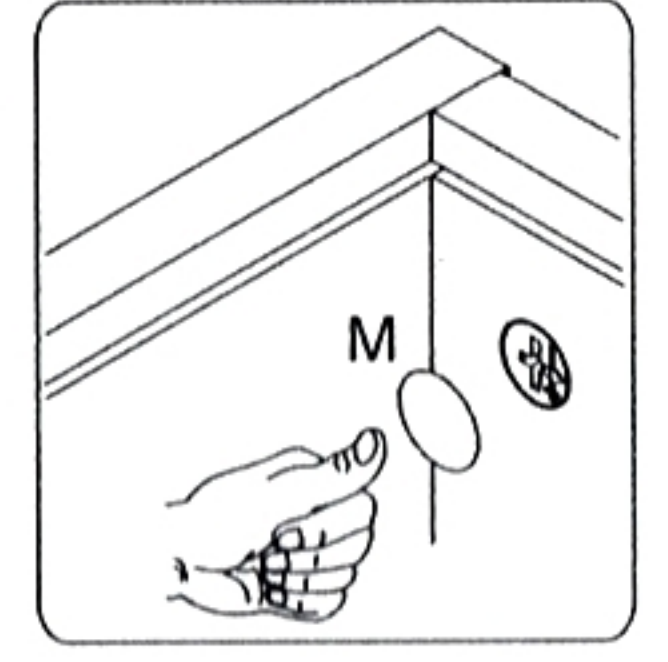
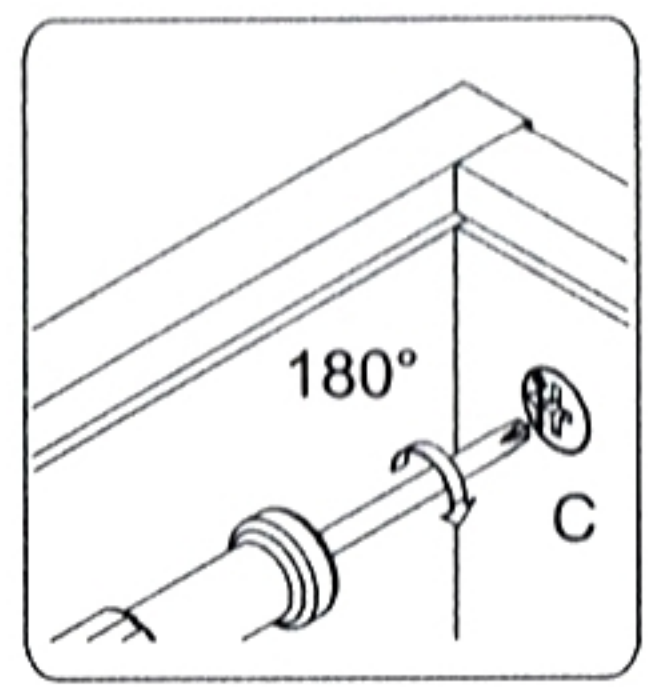
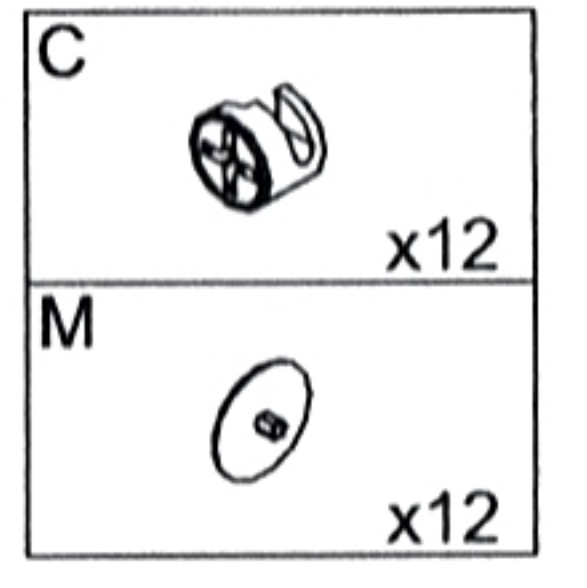
10



11



x6



12

