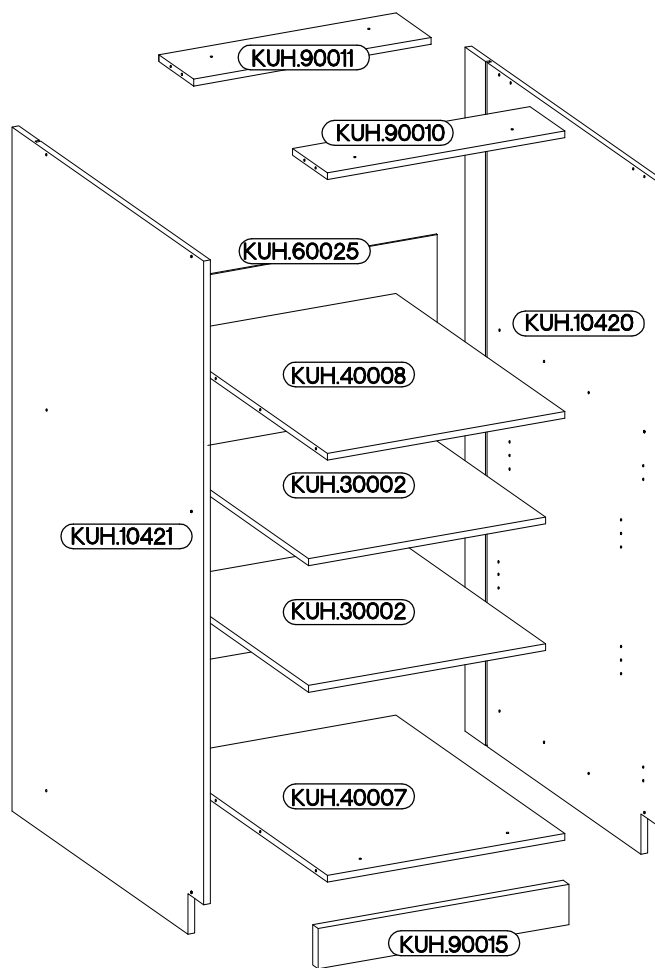
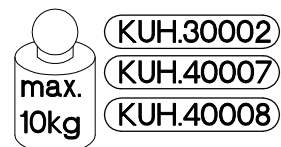
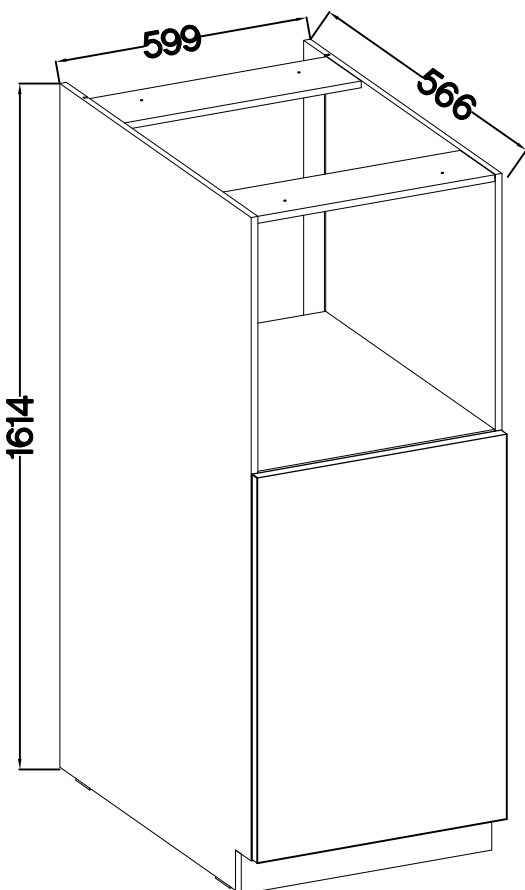
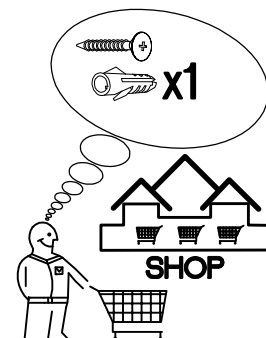


60 DKPL-162 1F
BB


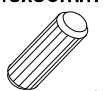


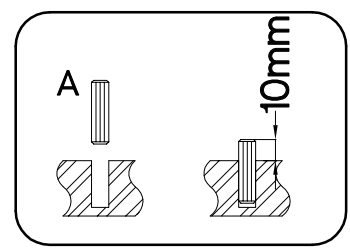
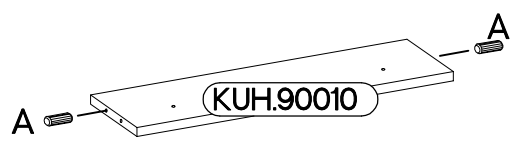
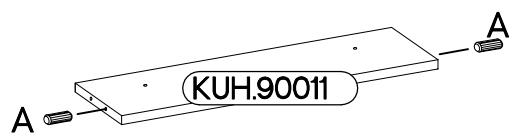
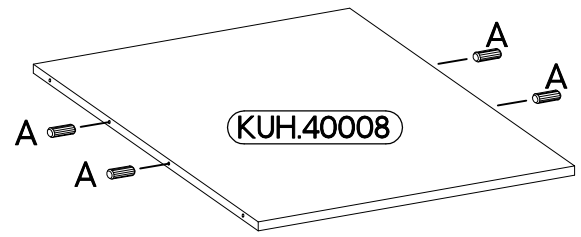
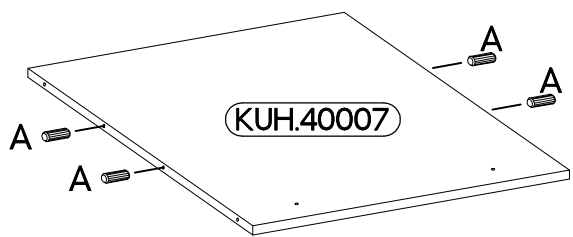
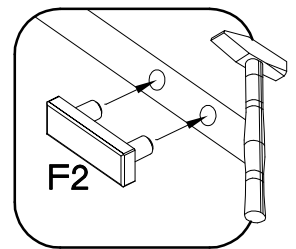
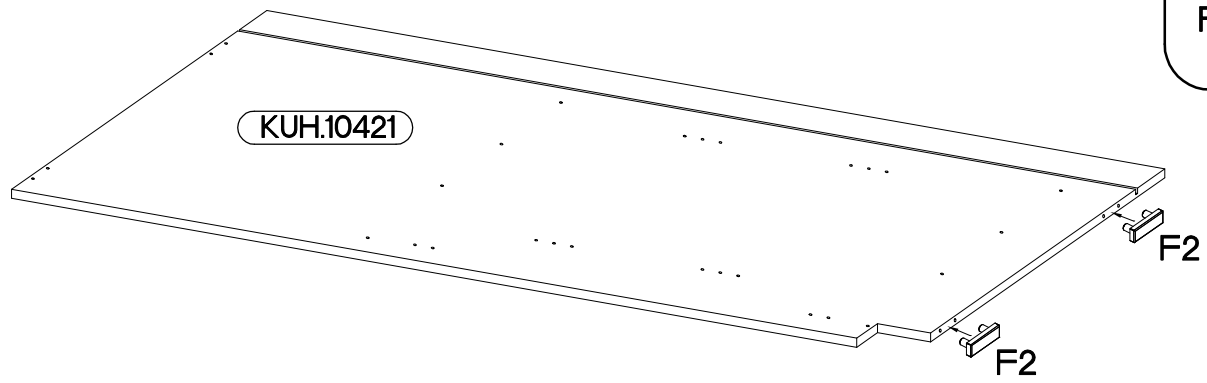
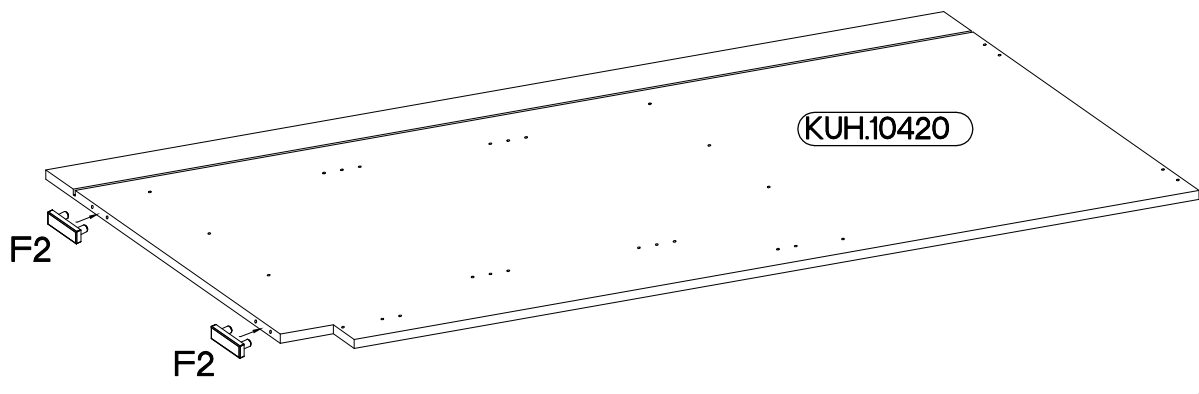
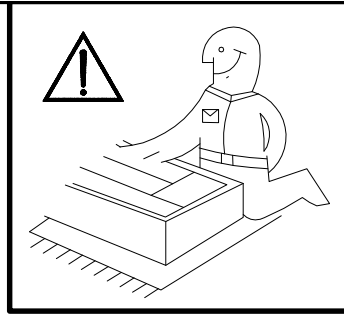
 ±8x30mm A 12	 6,4 x 50mm B 12	 E1 12	 E9 2	 6.5x48x16 F2 4	 ±35/0mm [CD] HG 2	 ±5/19mm J 8
 120x30x15mm L25 1	 O 1	 ±4.0x45mm P4 2	 ±3.5x13mm P5 6	 ±3.0x20mm P7 8-10	 ±4.0x25mm R 4	



ISM-KUH-01624

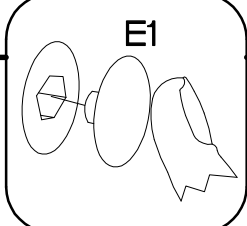
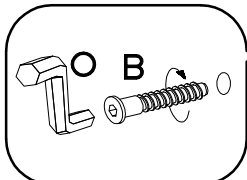
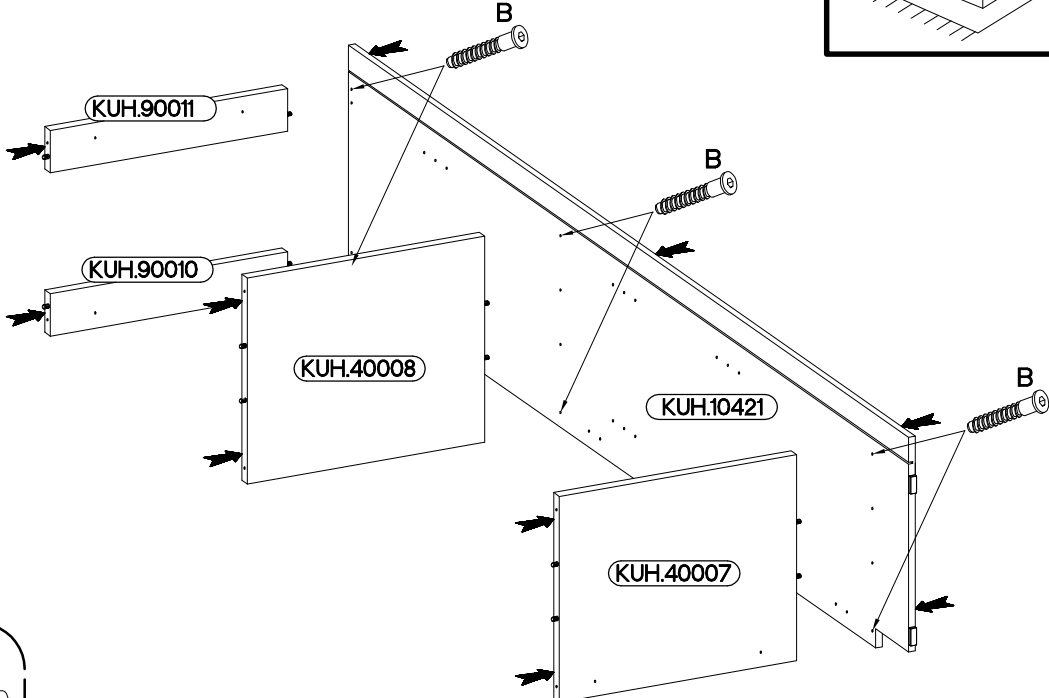
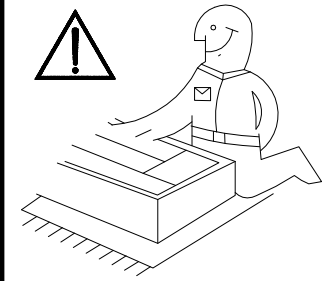
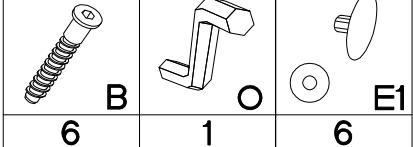
1

6.5x48x16	+8x30mm
	
F2	A
4	12

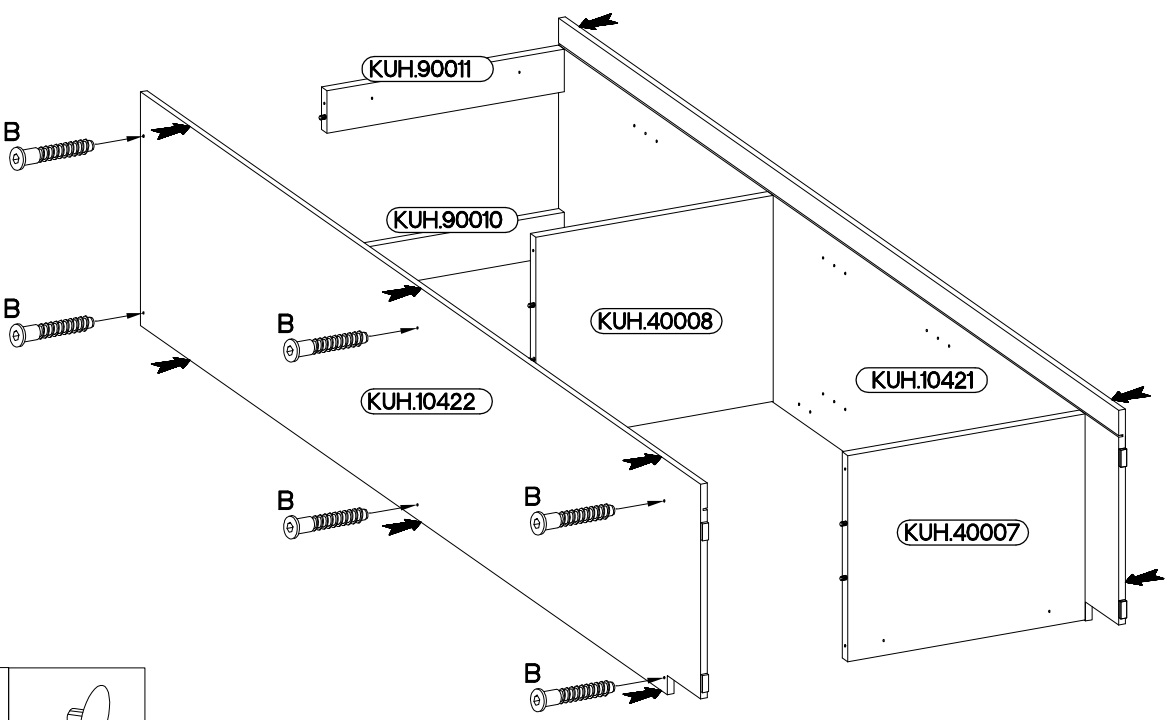


2

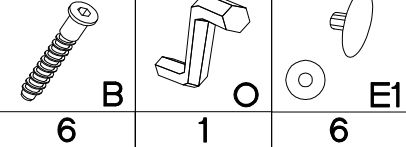
6,4 x 50mm



3



6,4 x 50mm



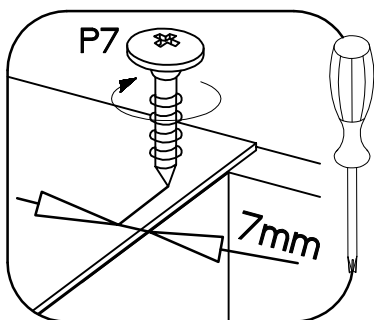
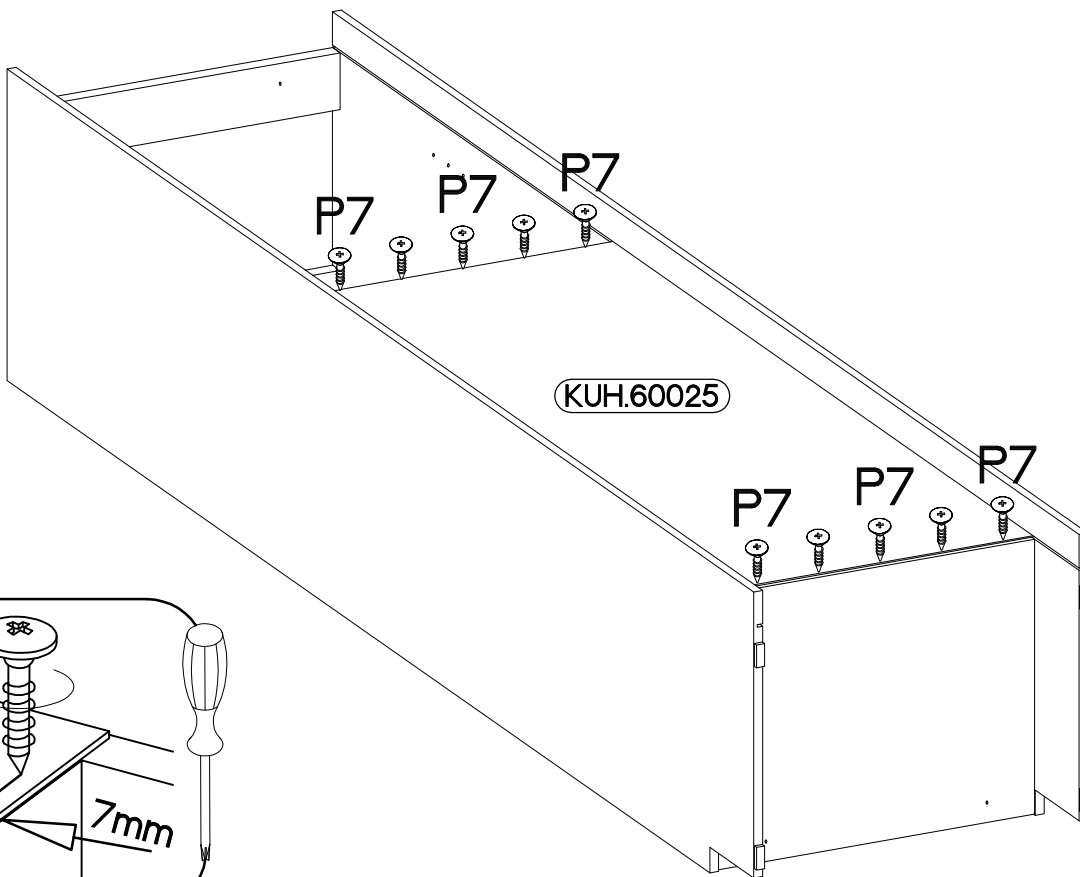
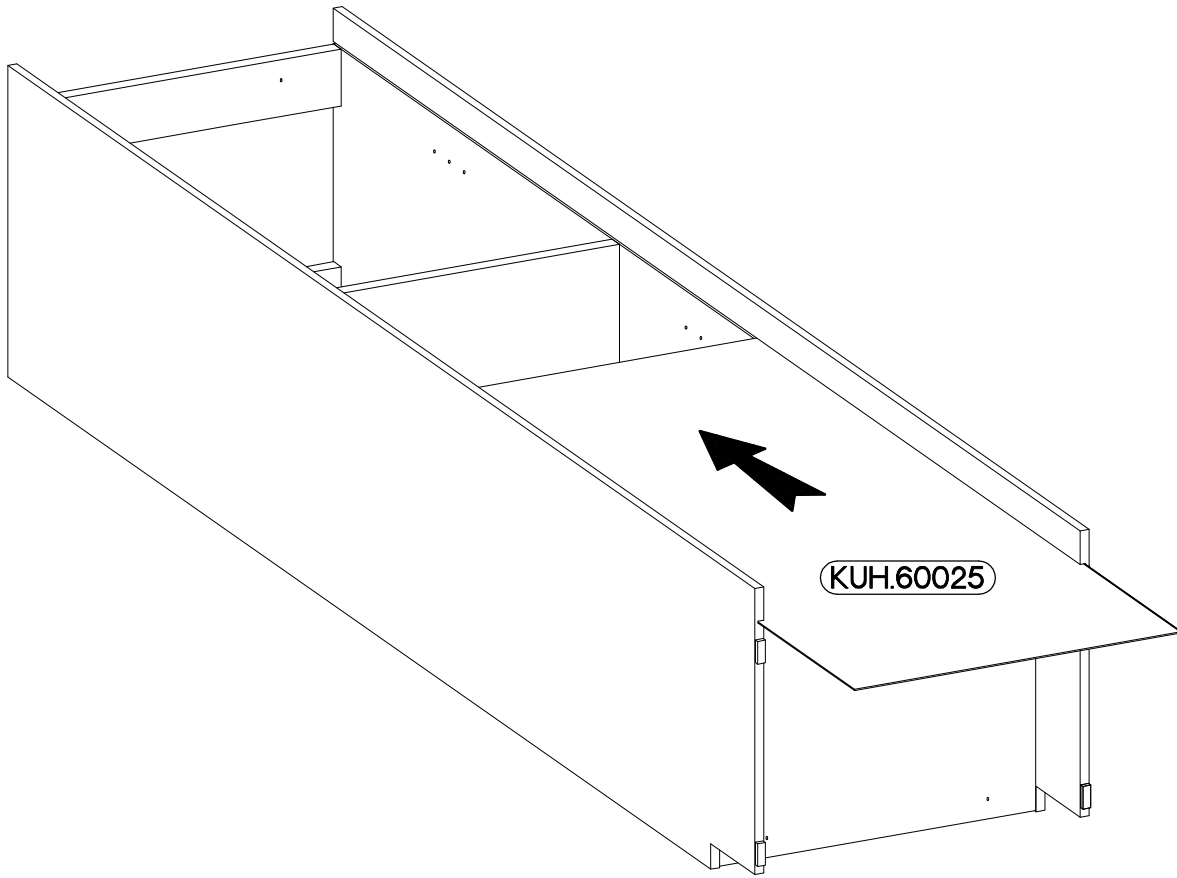
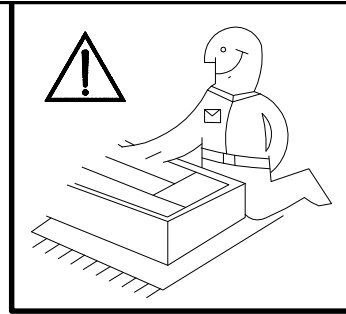
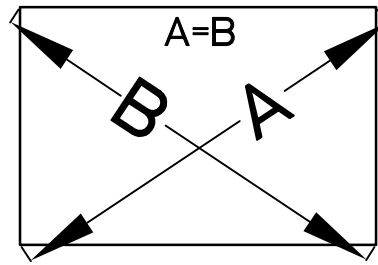
4

±3.0x20mm





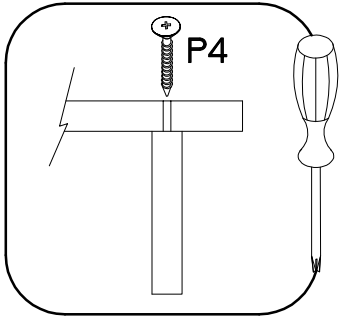
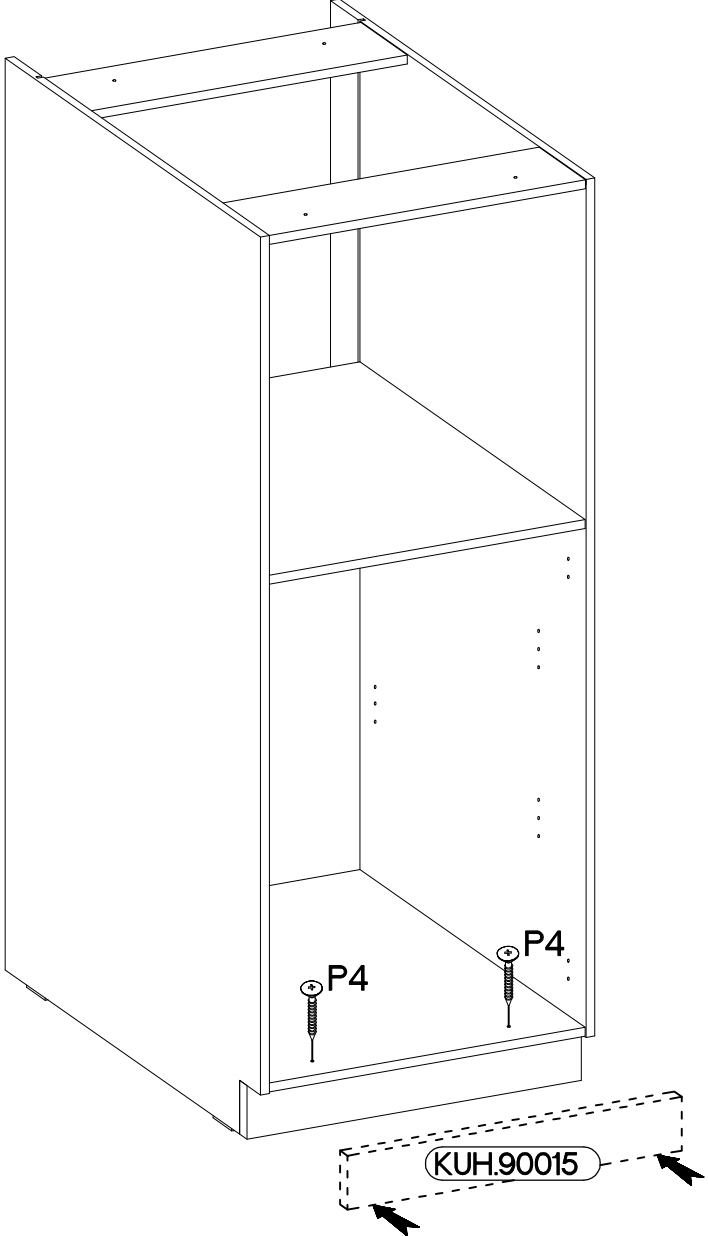
P7

8-10




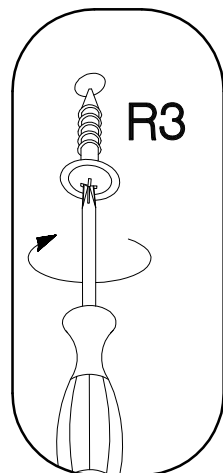
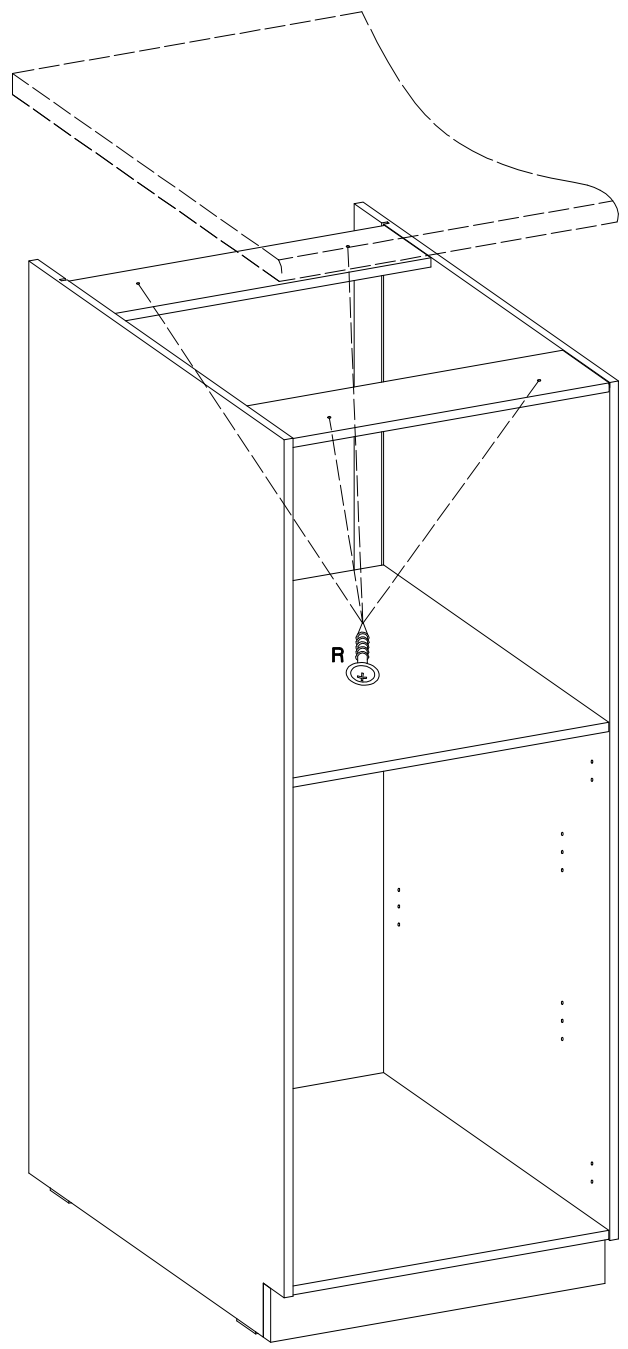
5

†4.0x45mm  P4 2	 E9 2
---	--

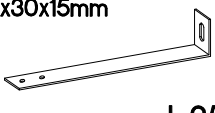



6

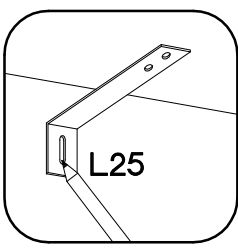
†4.0x25mm  R 4



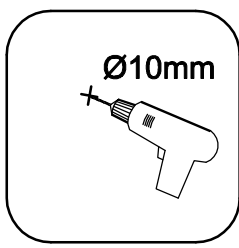
7

120x30x15mm	±3.5x13mm
	
L25	P5
1	2

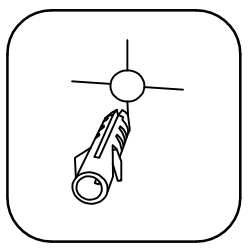
1.



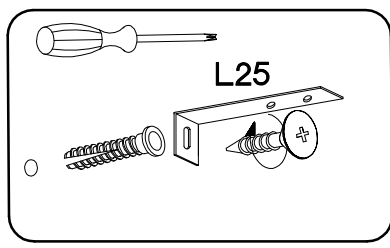
2.



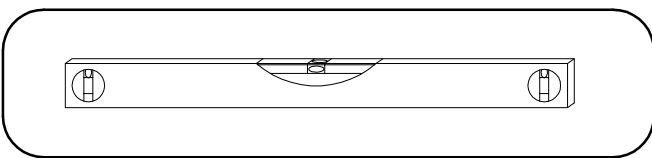
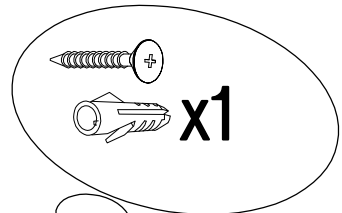
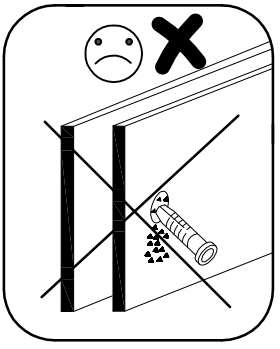
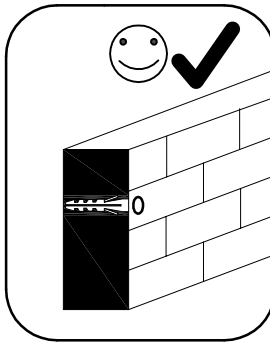
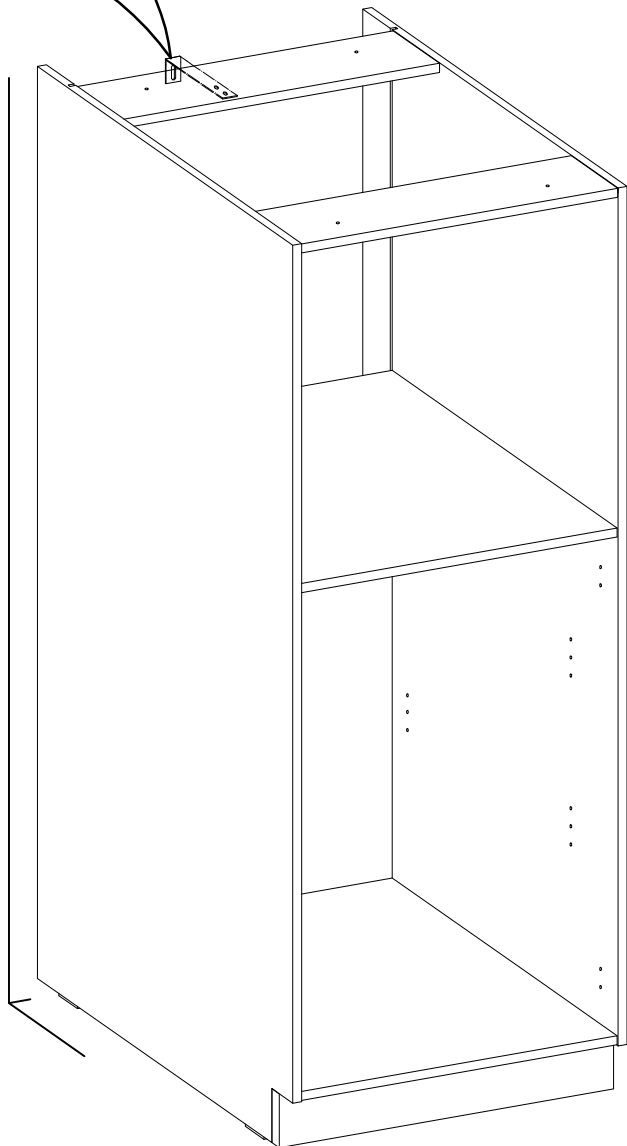
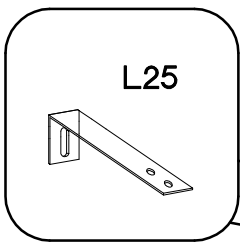
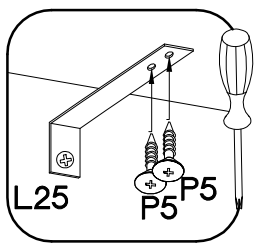
3.



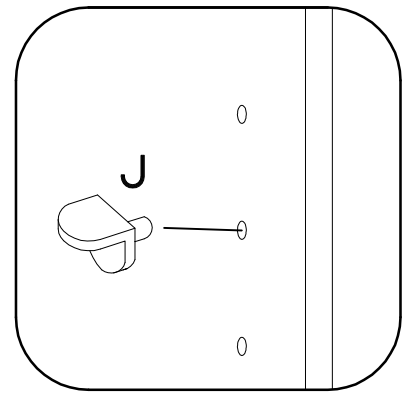
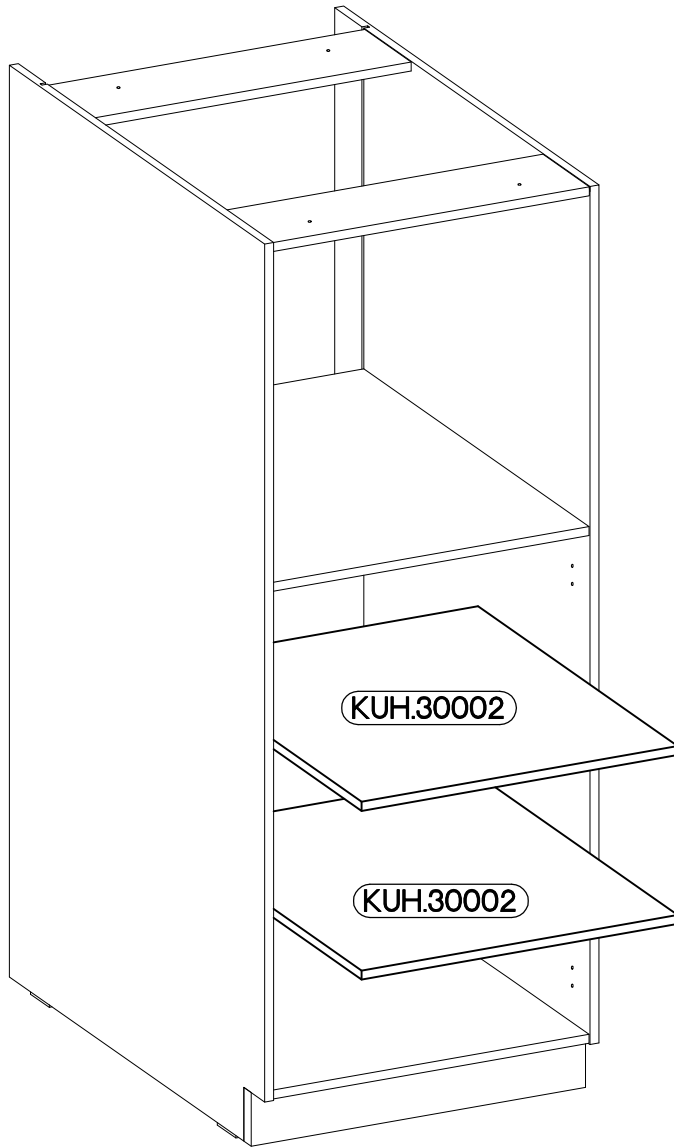
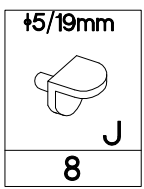
4.



5.

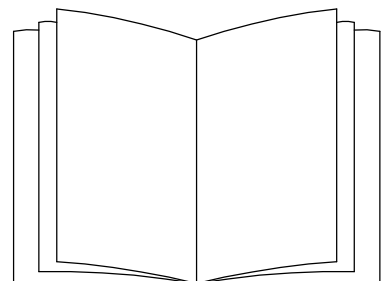
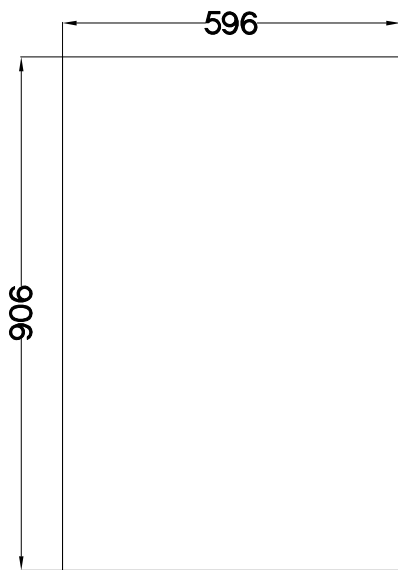


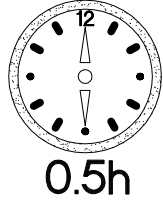
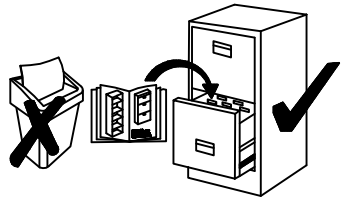
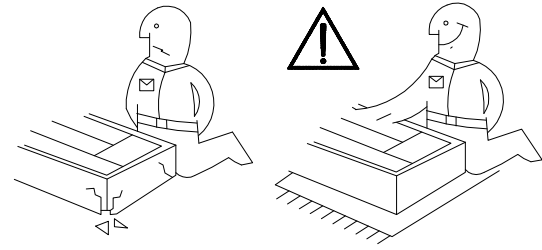
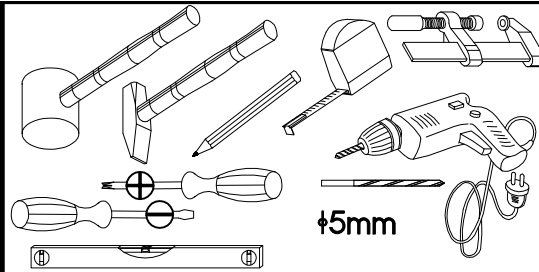
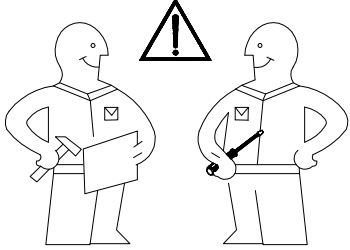
8



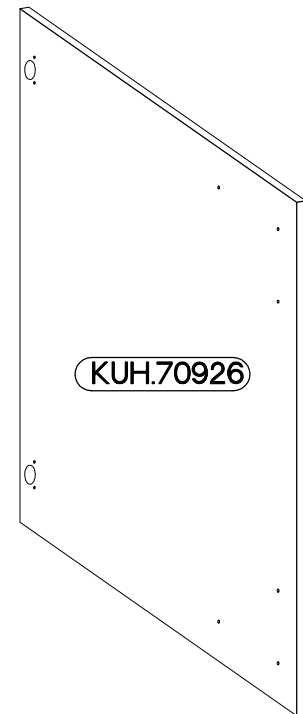
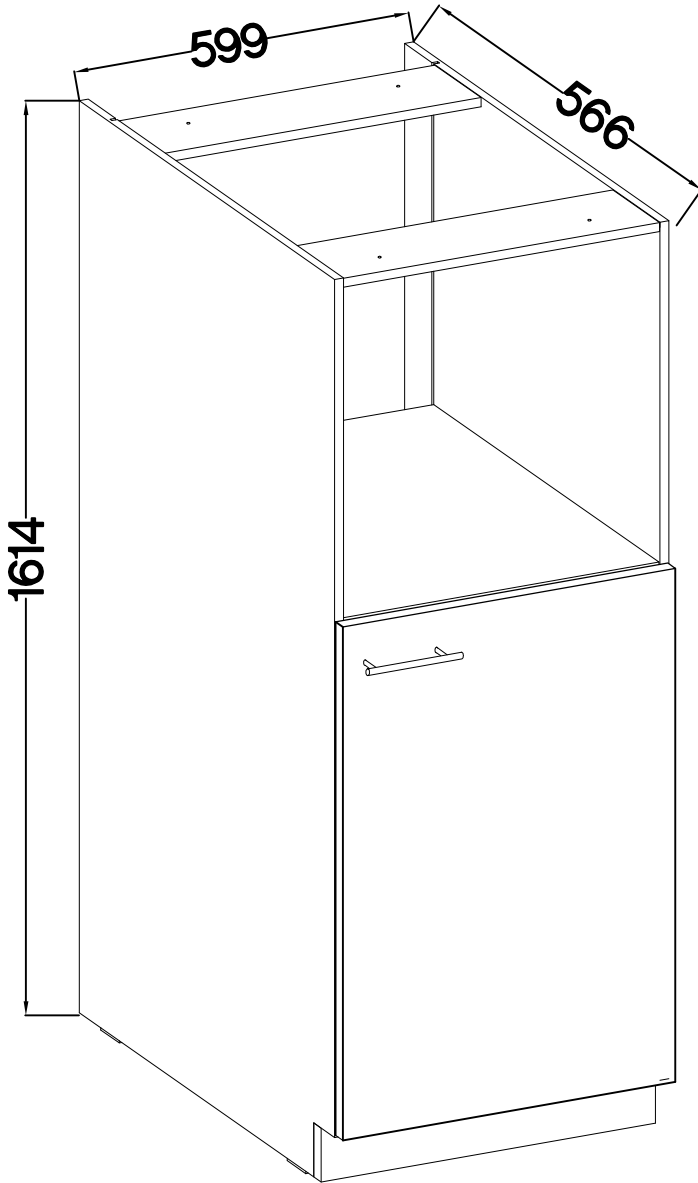
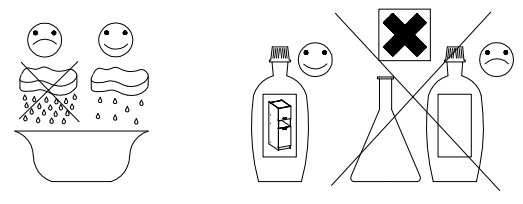
9

FRONT





60 DKPL-162 1F BB
FRONT



M4x22mm	L=128mm
U	S
2	1

ISM-KUH-01648

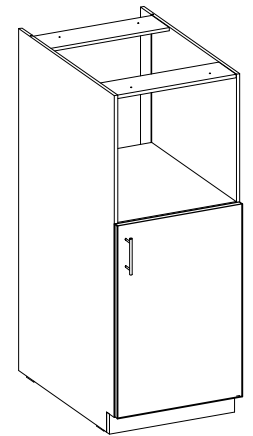
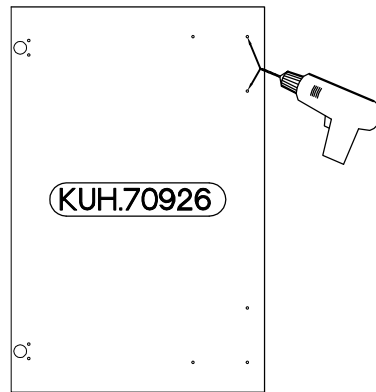
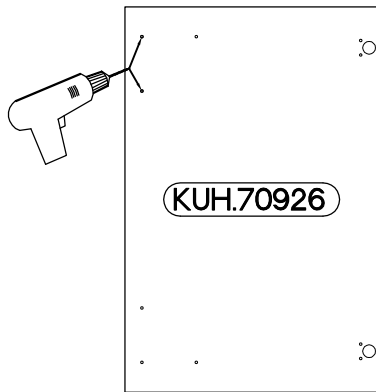
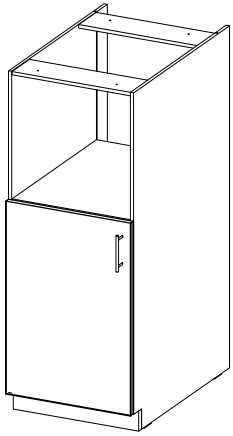
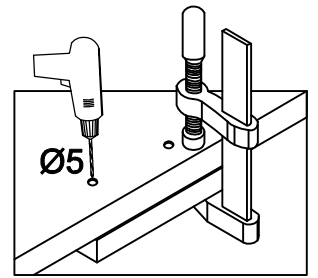
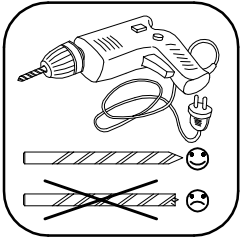
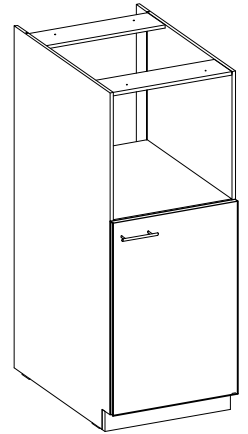
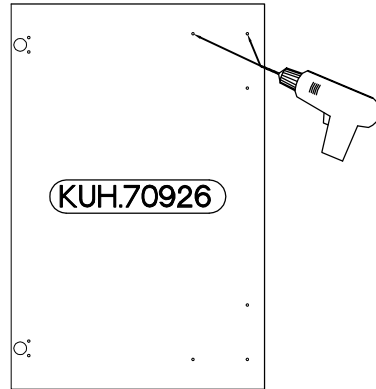
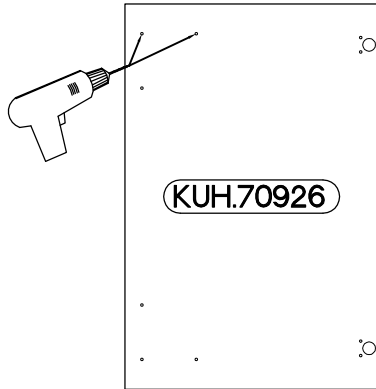
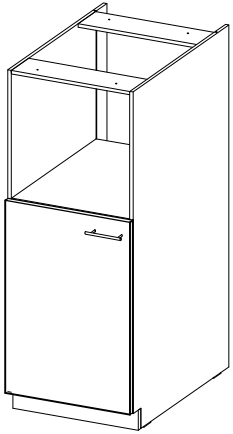
1



LEFT

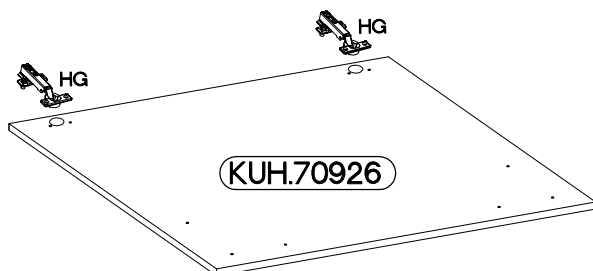
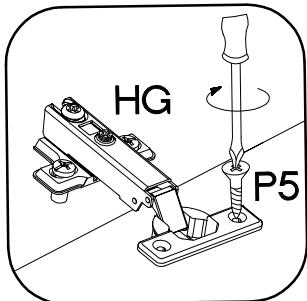


RIGHT





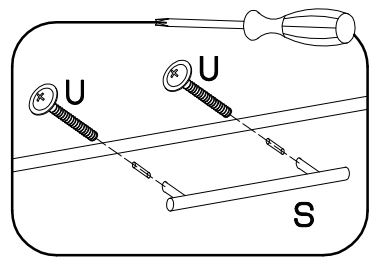
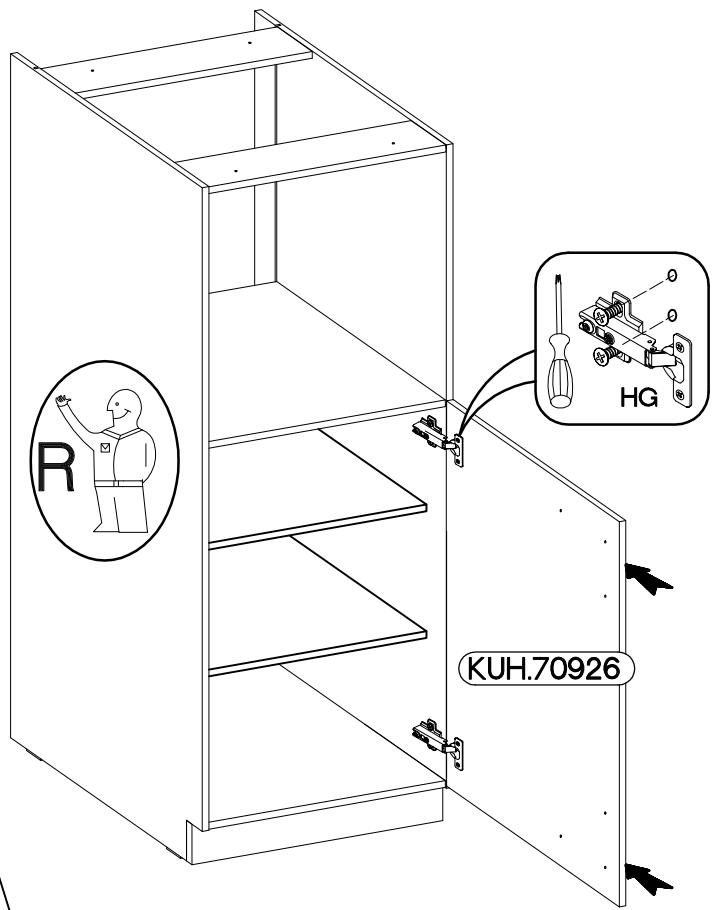
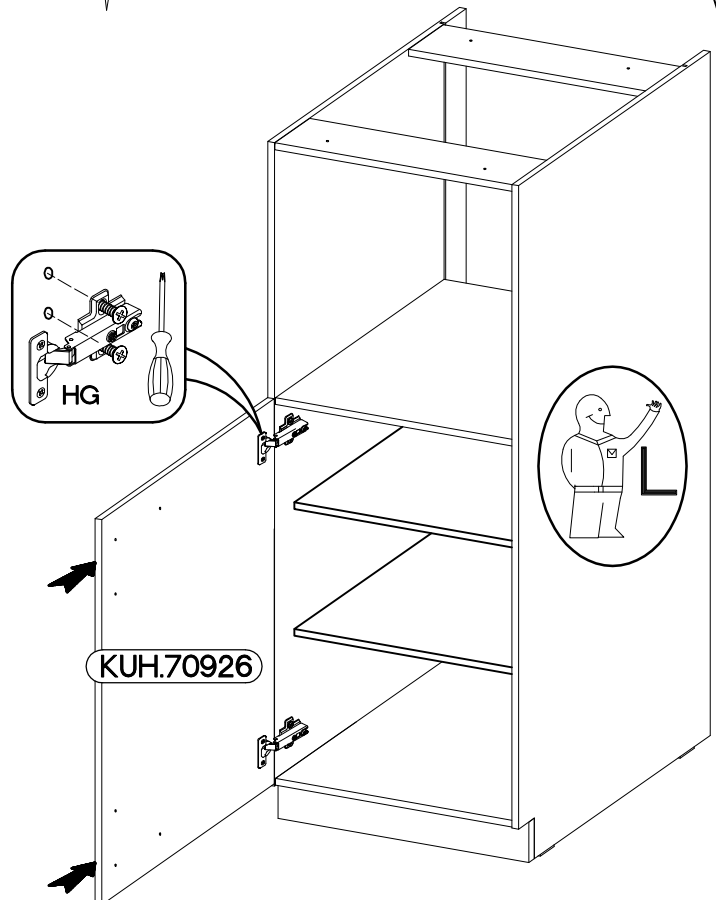
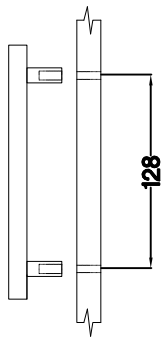
2

±35/0mm [CD] HG 2	±3.5x13mm P5 4
-----------------------------	--------------------------



3

M4x22mm	L=128mm
	
U	S
2	1



VARIANT HIGH GLOSS

