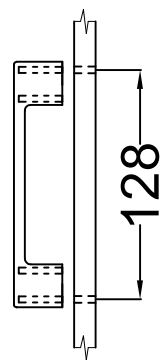
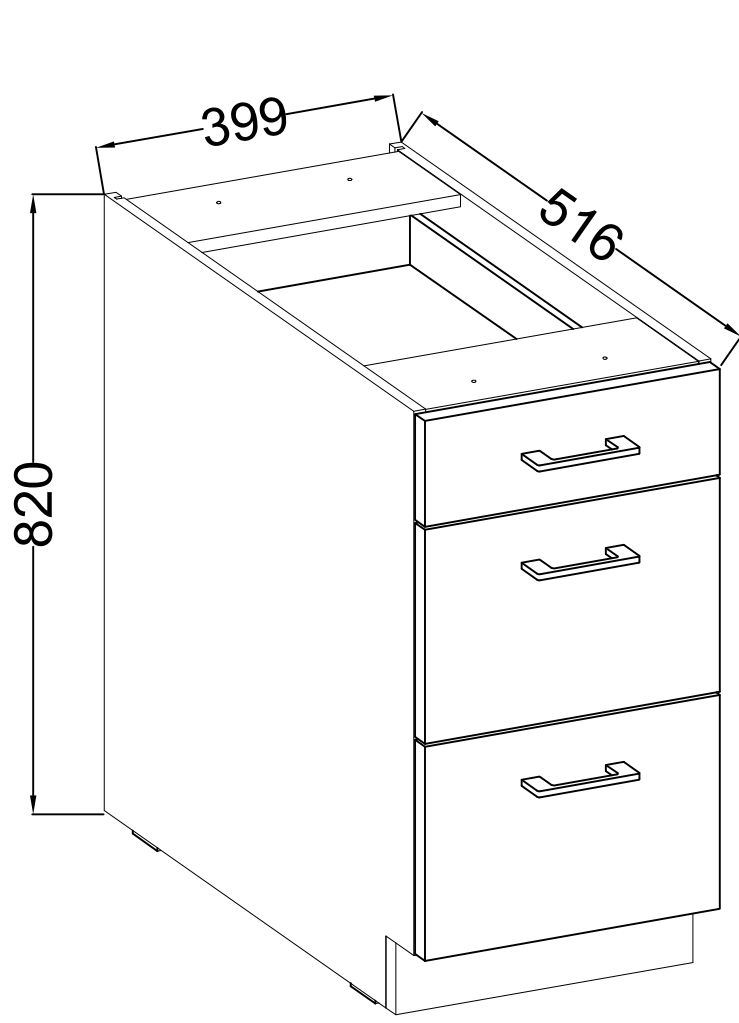

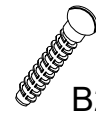


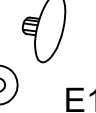

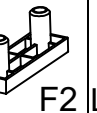


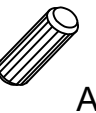






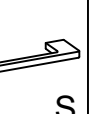
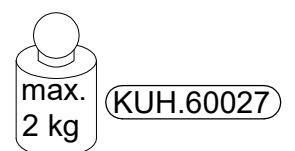
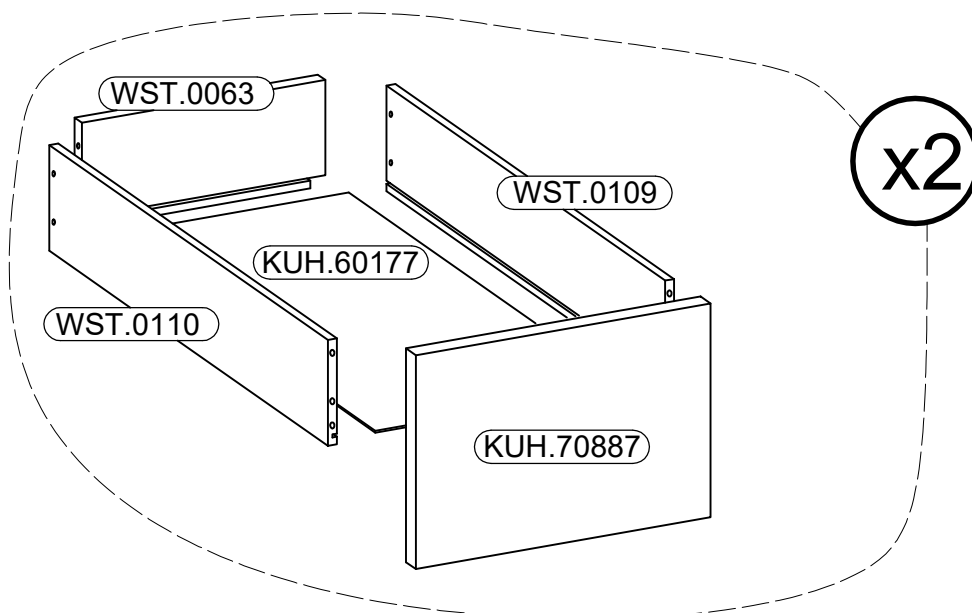
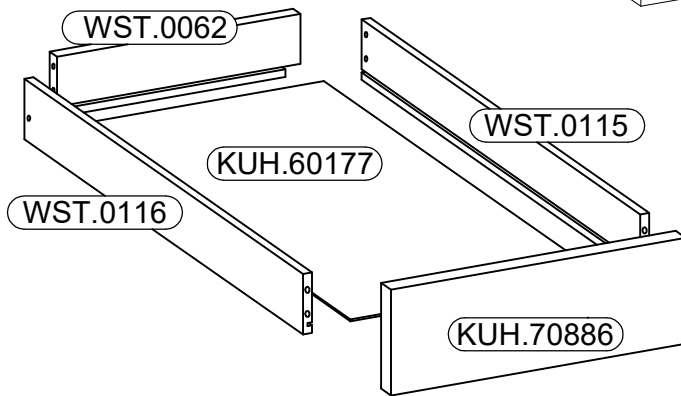
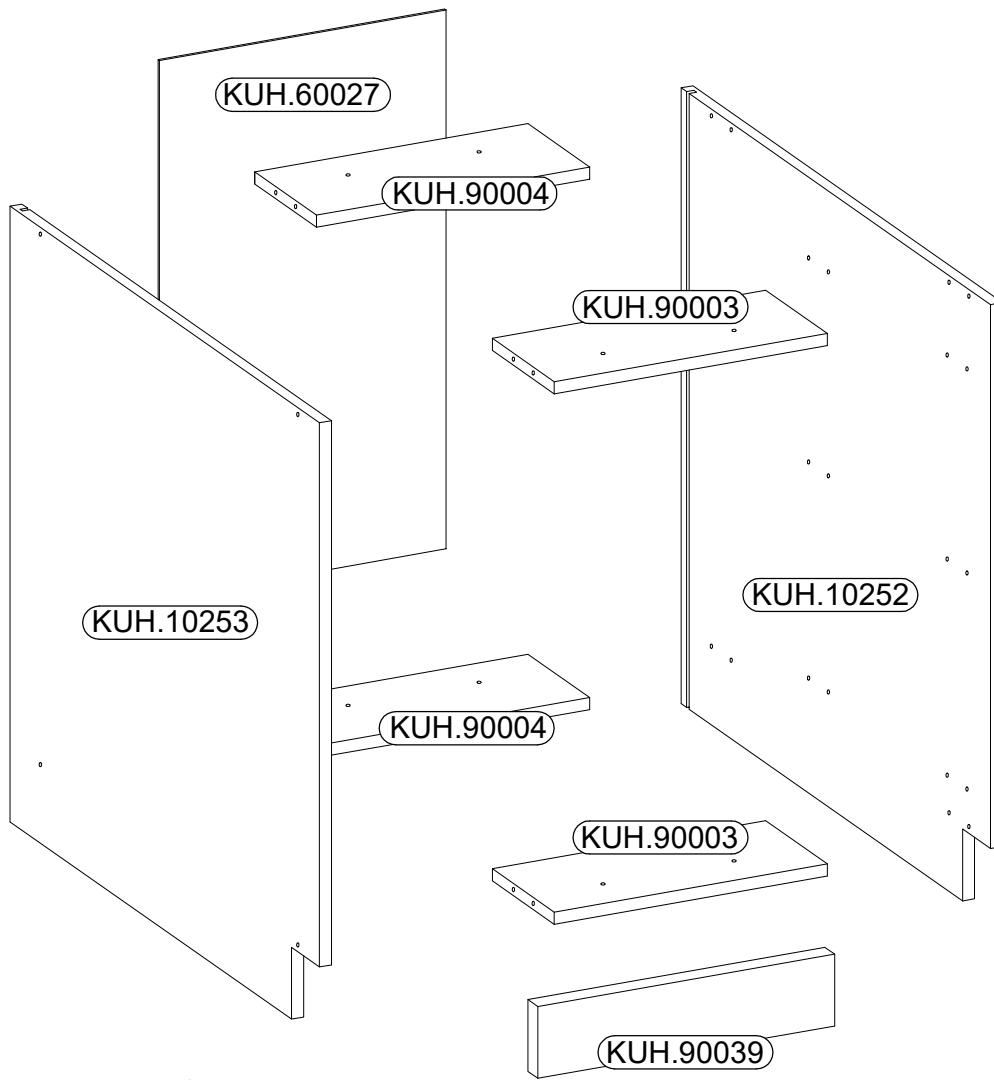


40 D 3S -
QUADRO


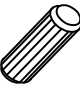



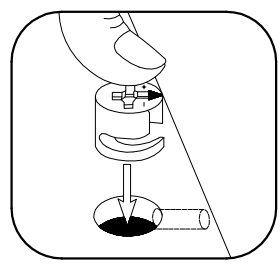
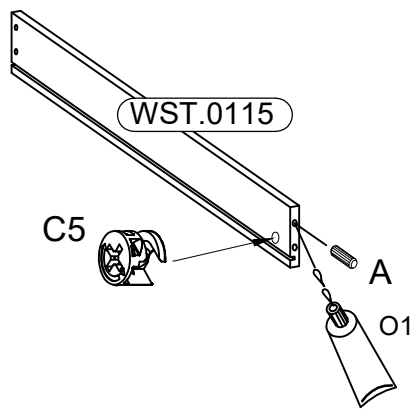
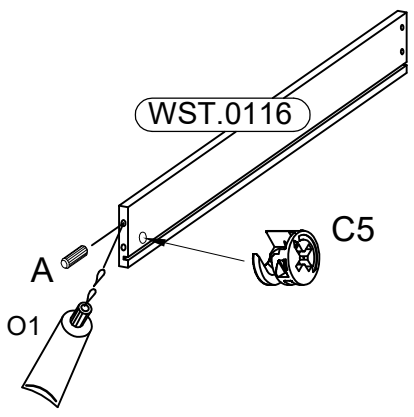
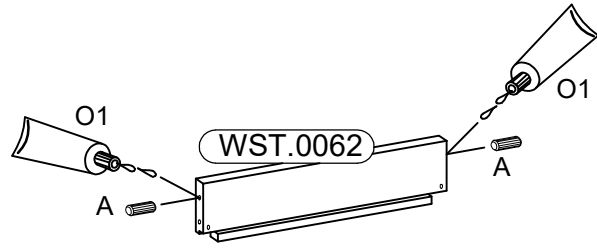
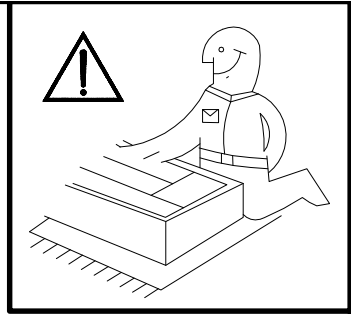
6,4 x 50mm  B	Ø6x42mm  B2	Ø12/10mm  C5	L=20mm  D2	 E1	 E9	6.5x48x16  F2	 L=450mm I1	Ø6.3x13mm  M2	Ø8x30mm  A
8	10	6	6	8	2	4	3	24	20
 O	 O1	Ø4.0x45mm  P4	Ø3.0x20mm  P7	Ø4.0x35mm  R3	Ø4.0x30mm  R2	 S			
1	1	2	16	4	6	3			

ISM-KUH-01534

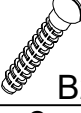



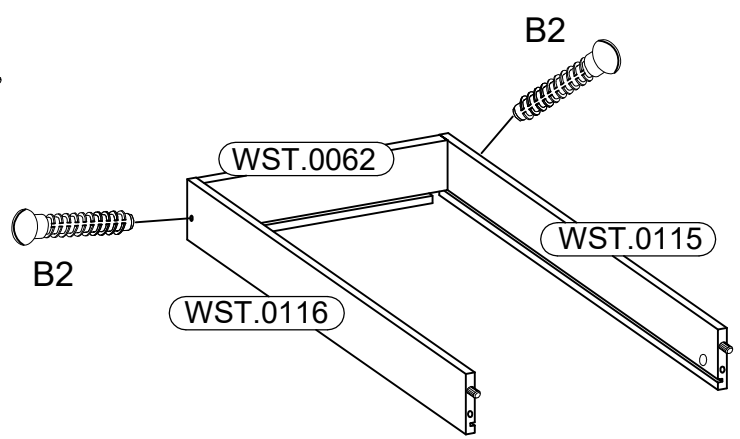
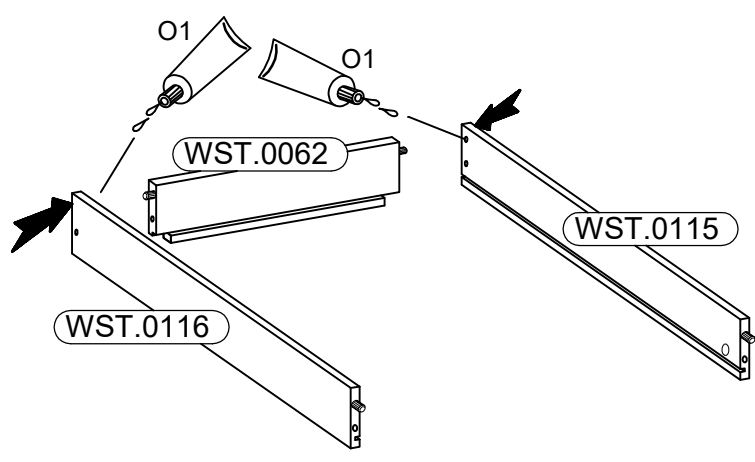
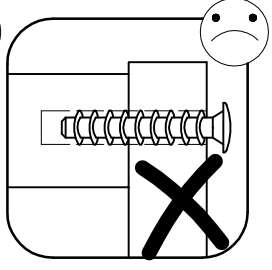
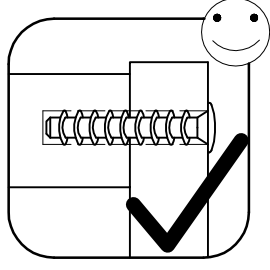
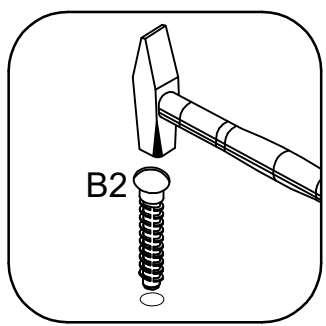
1

Ø12/10mm  C5	Ø8x30mm  A	 O1
2	4	1

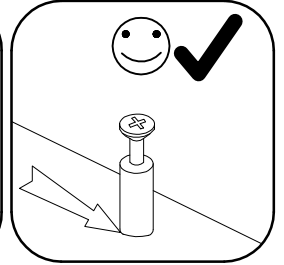
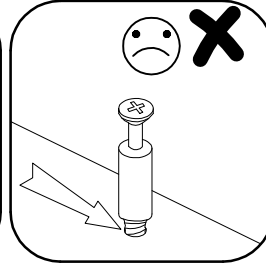
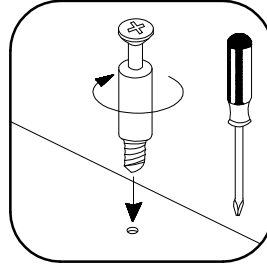
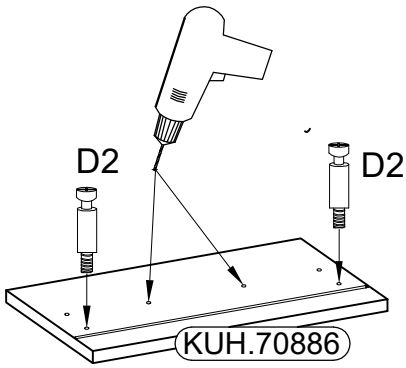
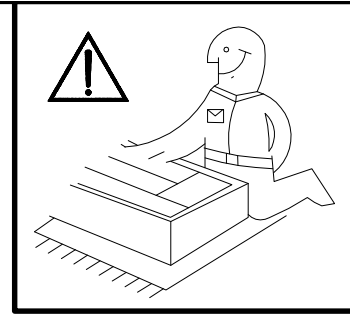
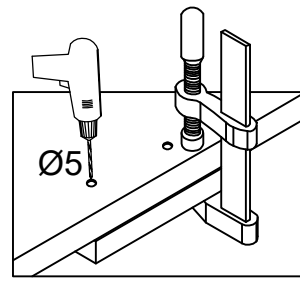
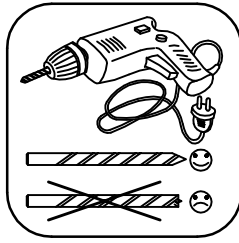
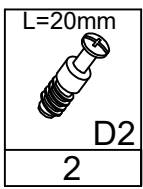


2

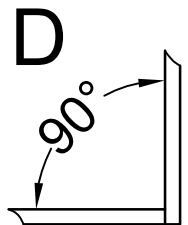
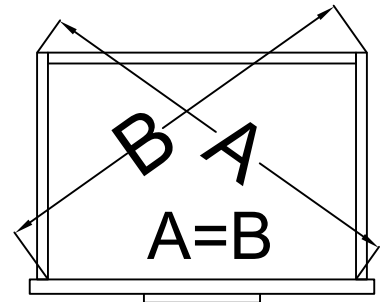
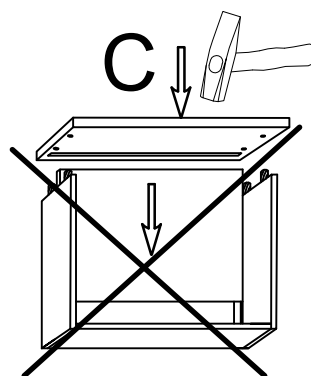
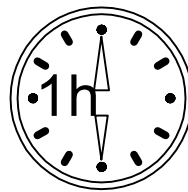
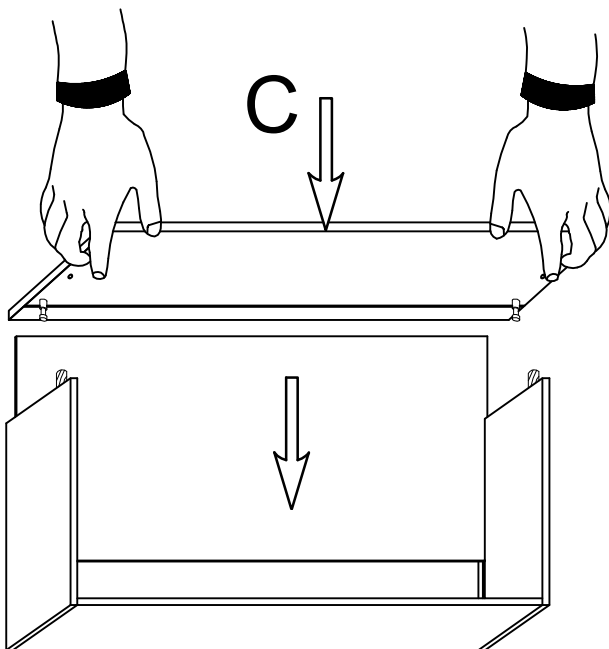
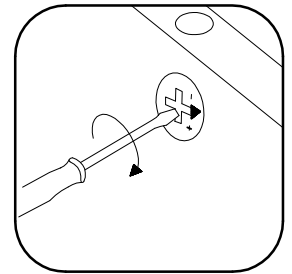
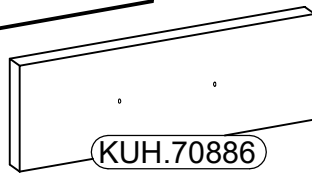
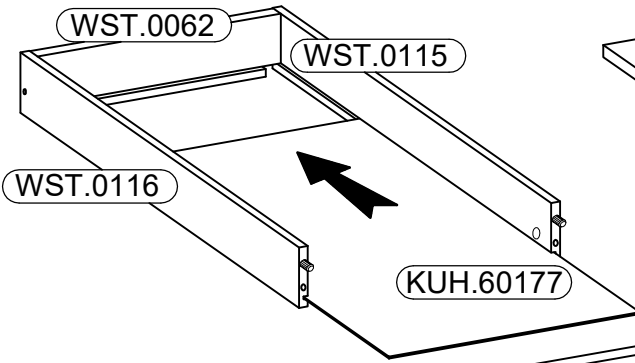
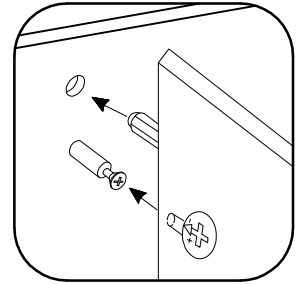
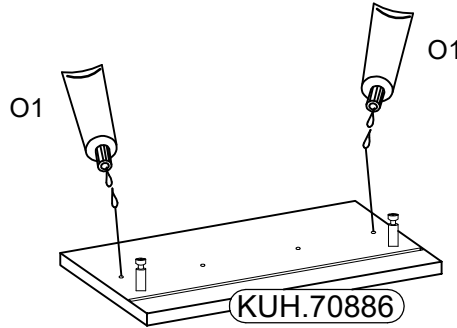
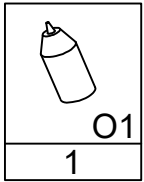
Ø6x42mm  B2	 O1
2	1




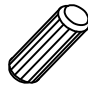

3



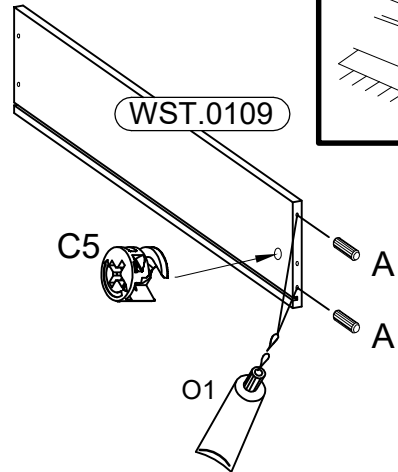
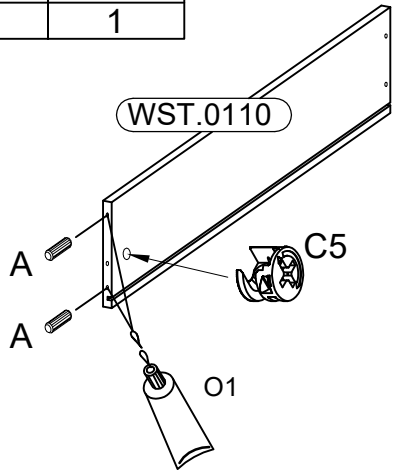
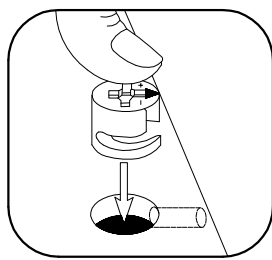
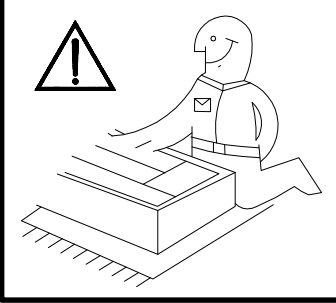
4




5

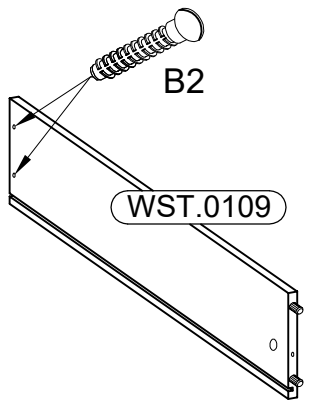
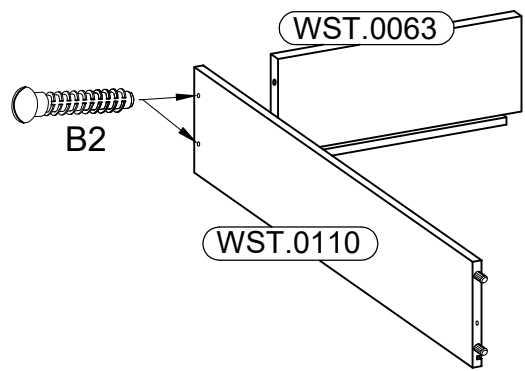
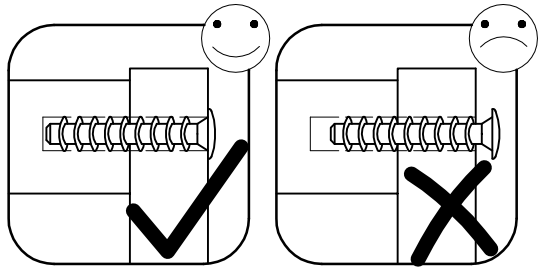
Ø12/10mm  C5	Ø8x30mm  A	 O1
4	8	1

x2

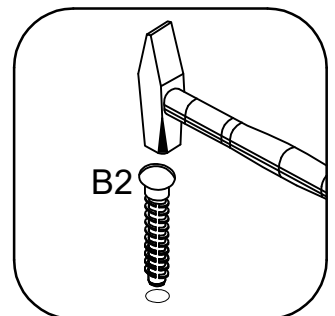


6


Ø6x42mm  B2
8



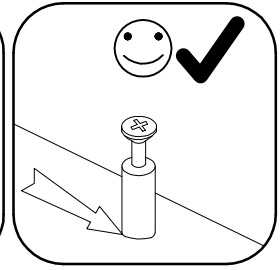
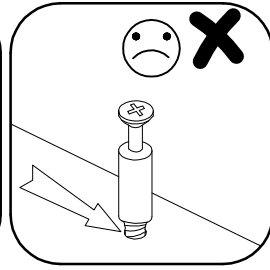
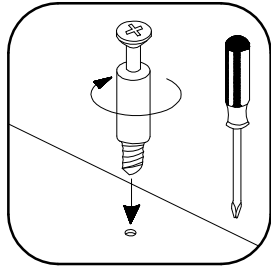
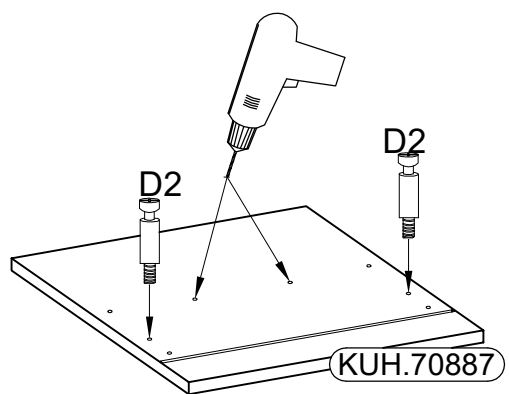
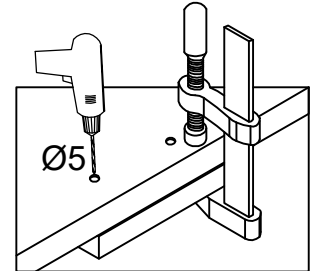
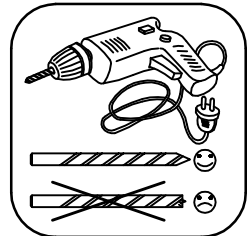
x2



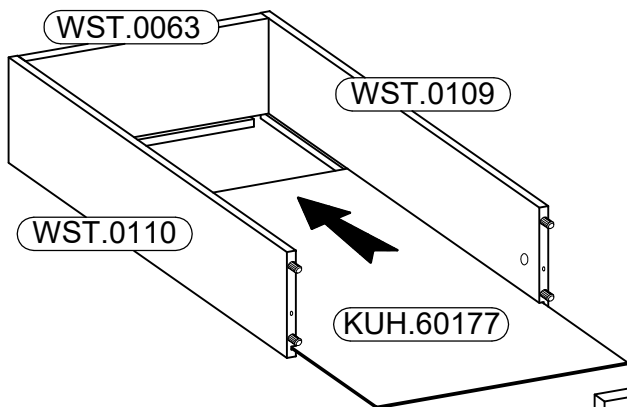
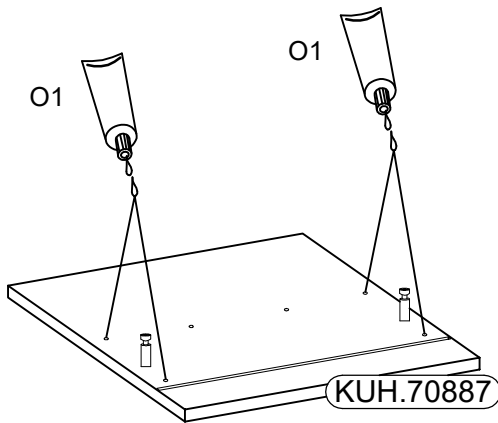
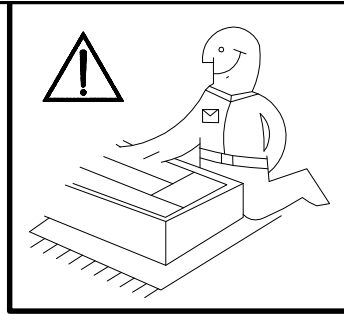
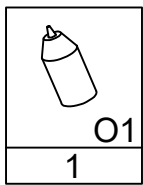
7

L=20mm  D2
4

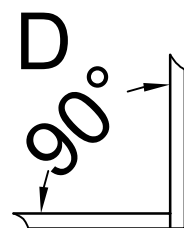
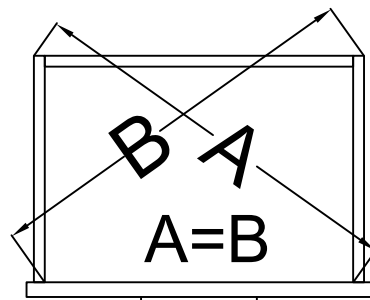
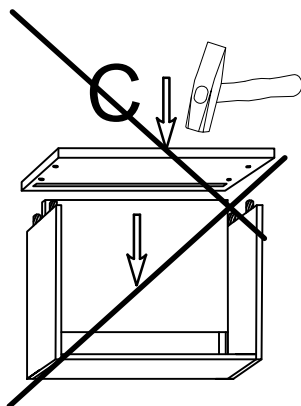
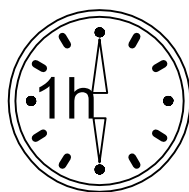
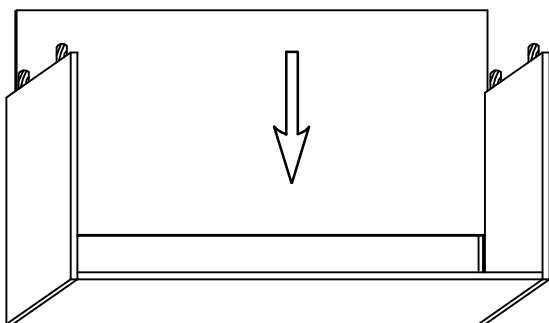
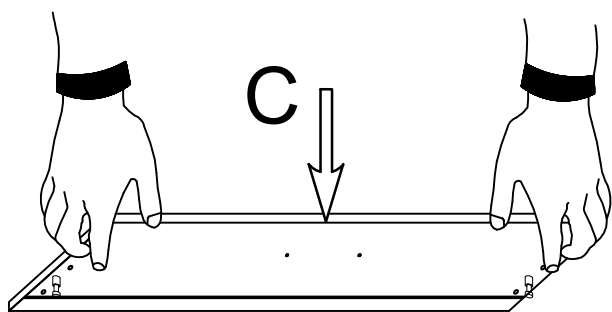
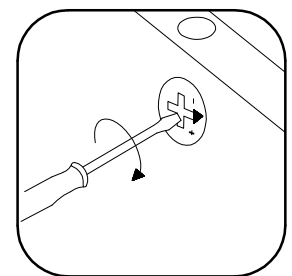
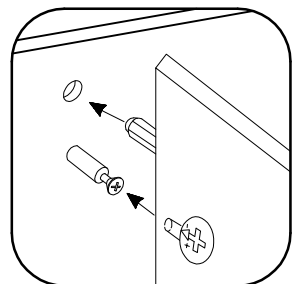
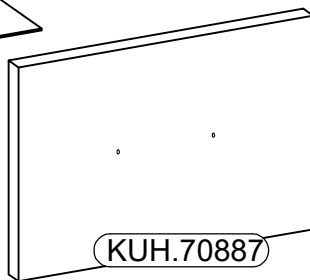
x2



8

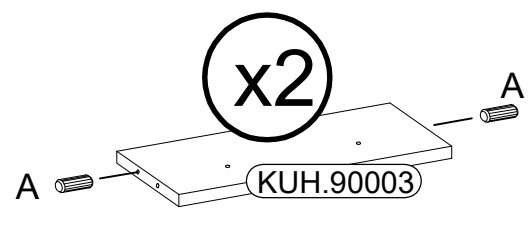
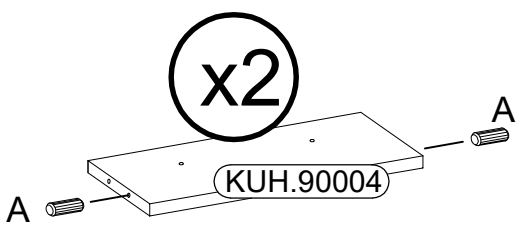
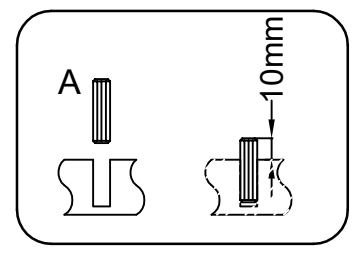
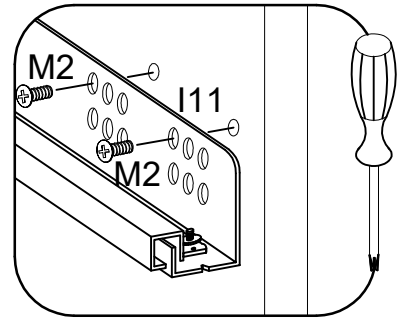
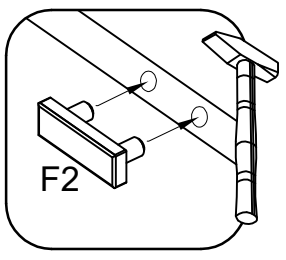
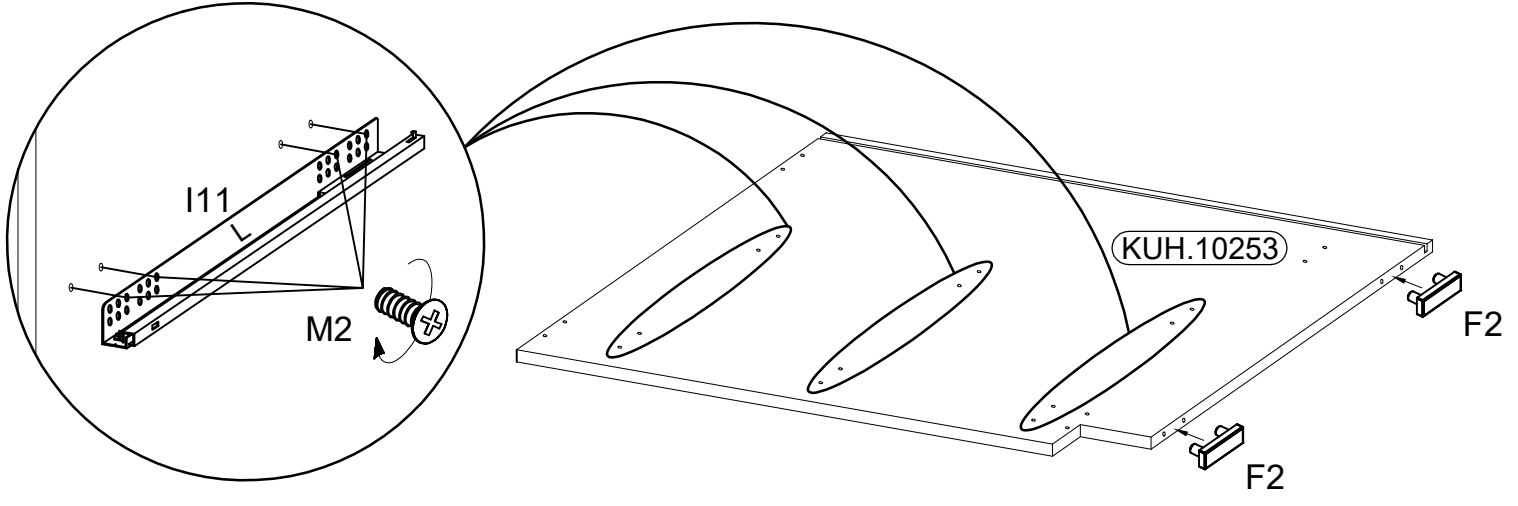
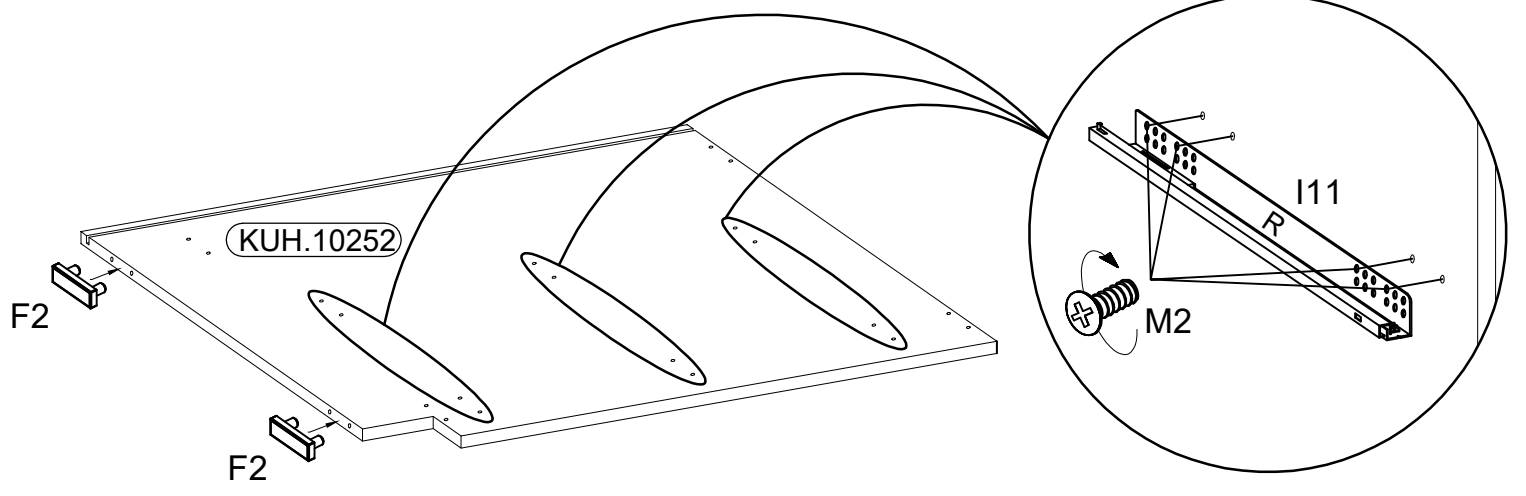
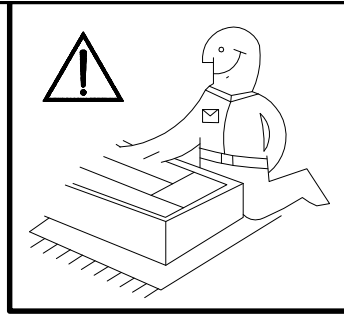


x2

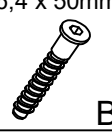
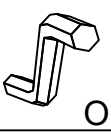



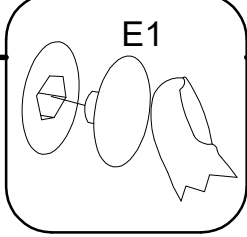
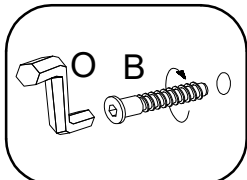
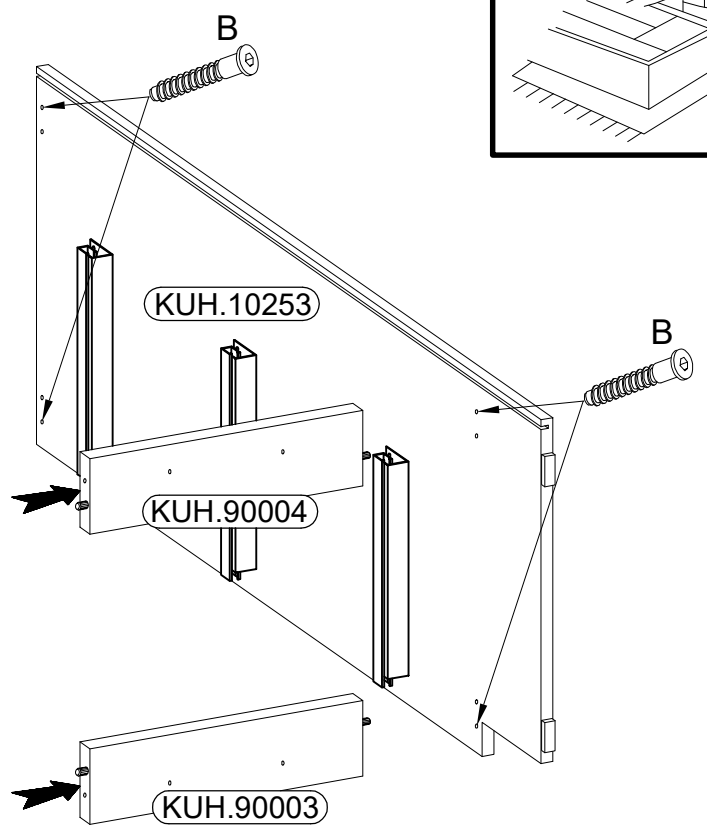
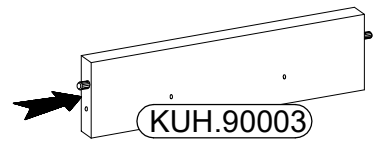
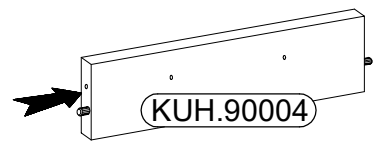
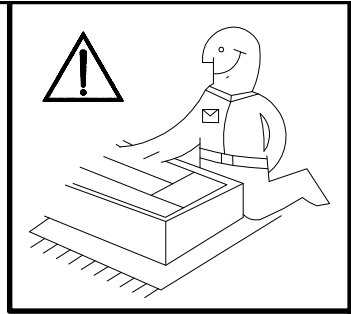
9

6.5x48x16 F2 4	Ø8x30mm A 8	L=450mm I11 3	Ø6.3x13mm M2 24
----------------------	-------------------	---------------------	-----------------------

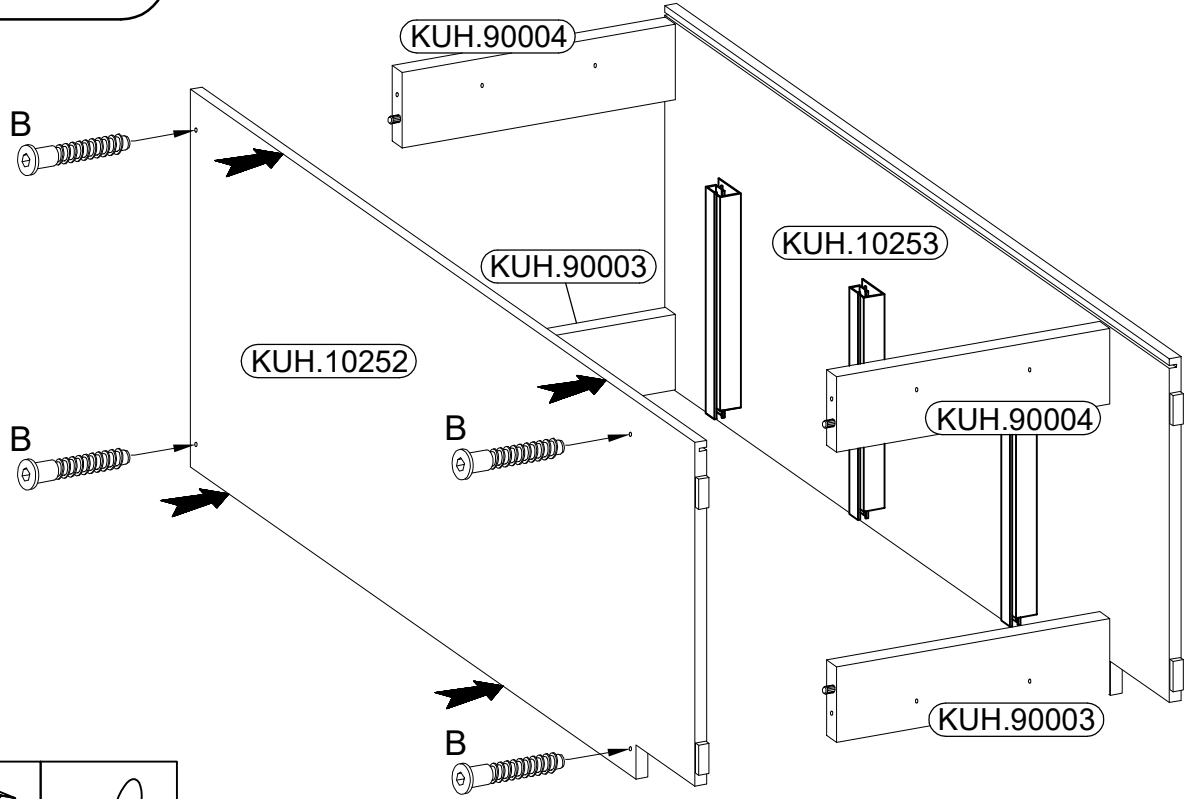


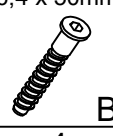
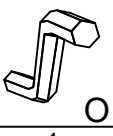

10

6,4 x 50mm		
		
B	O	E1
4	1	4

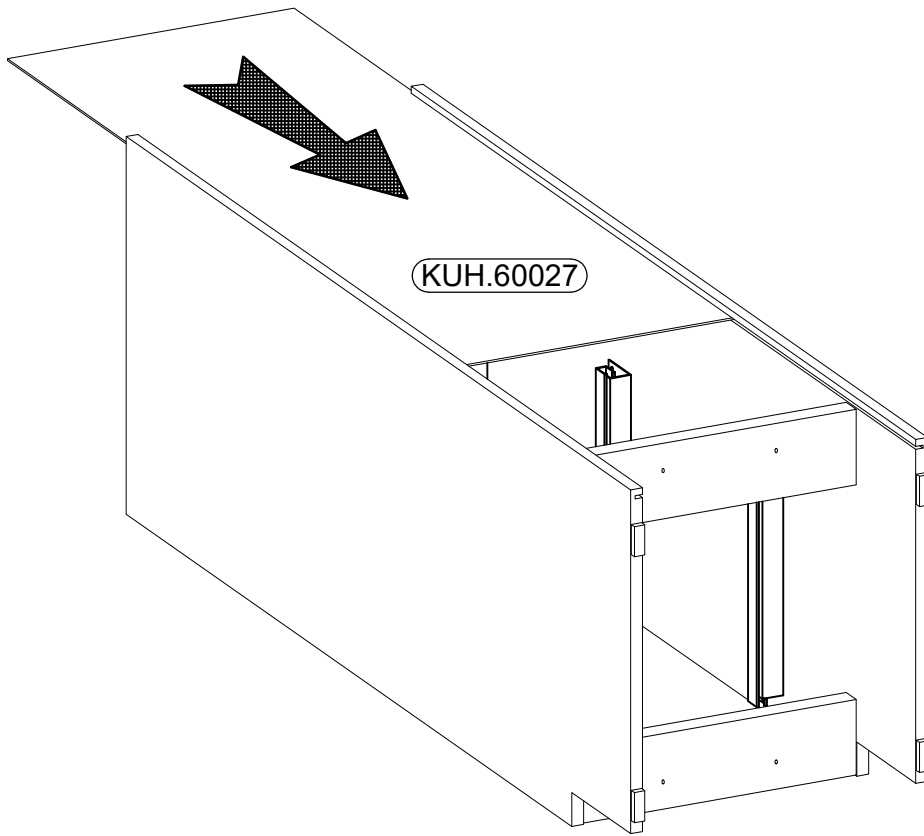
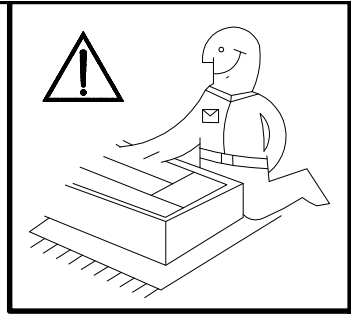


11

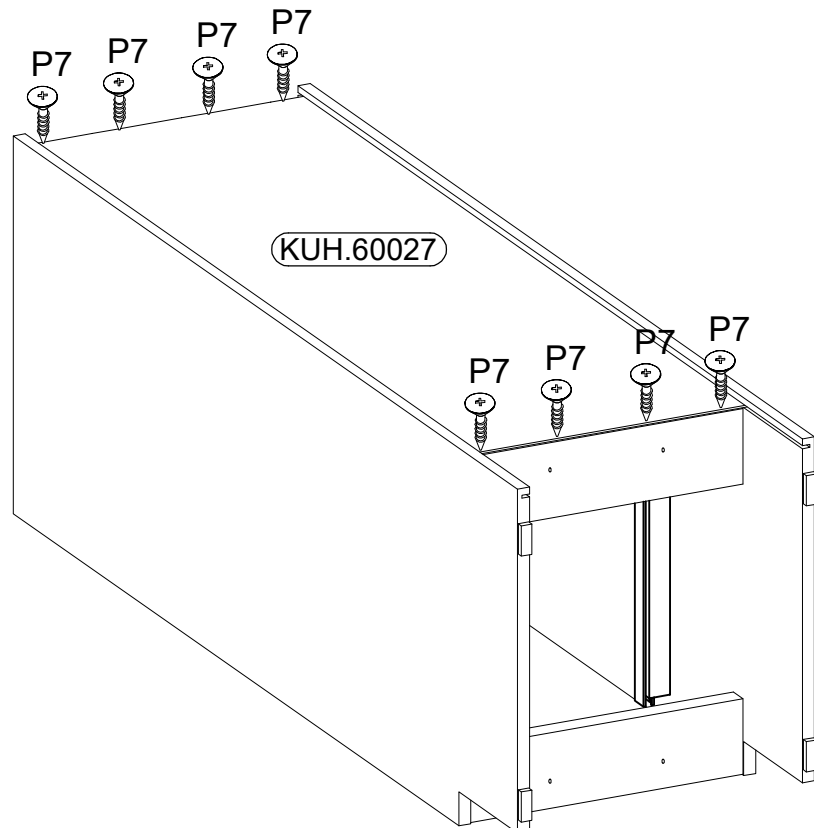
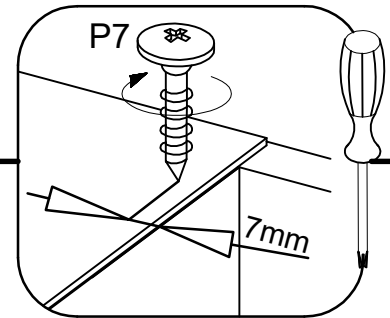
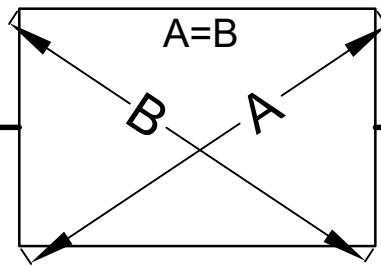
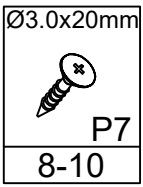





6,4 x 50mm		
		
B	O	E1
4	1	4

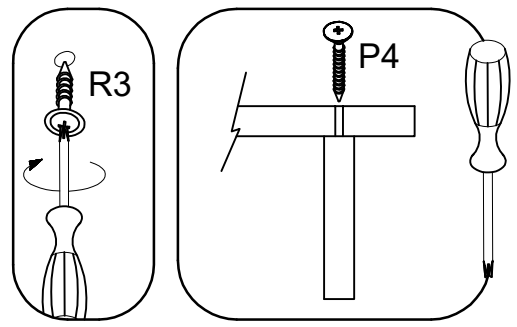
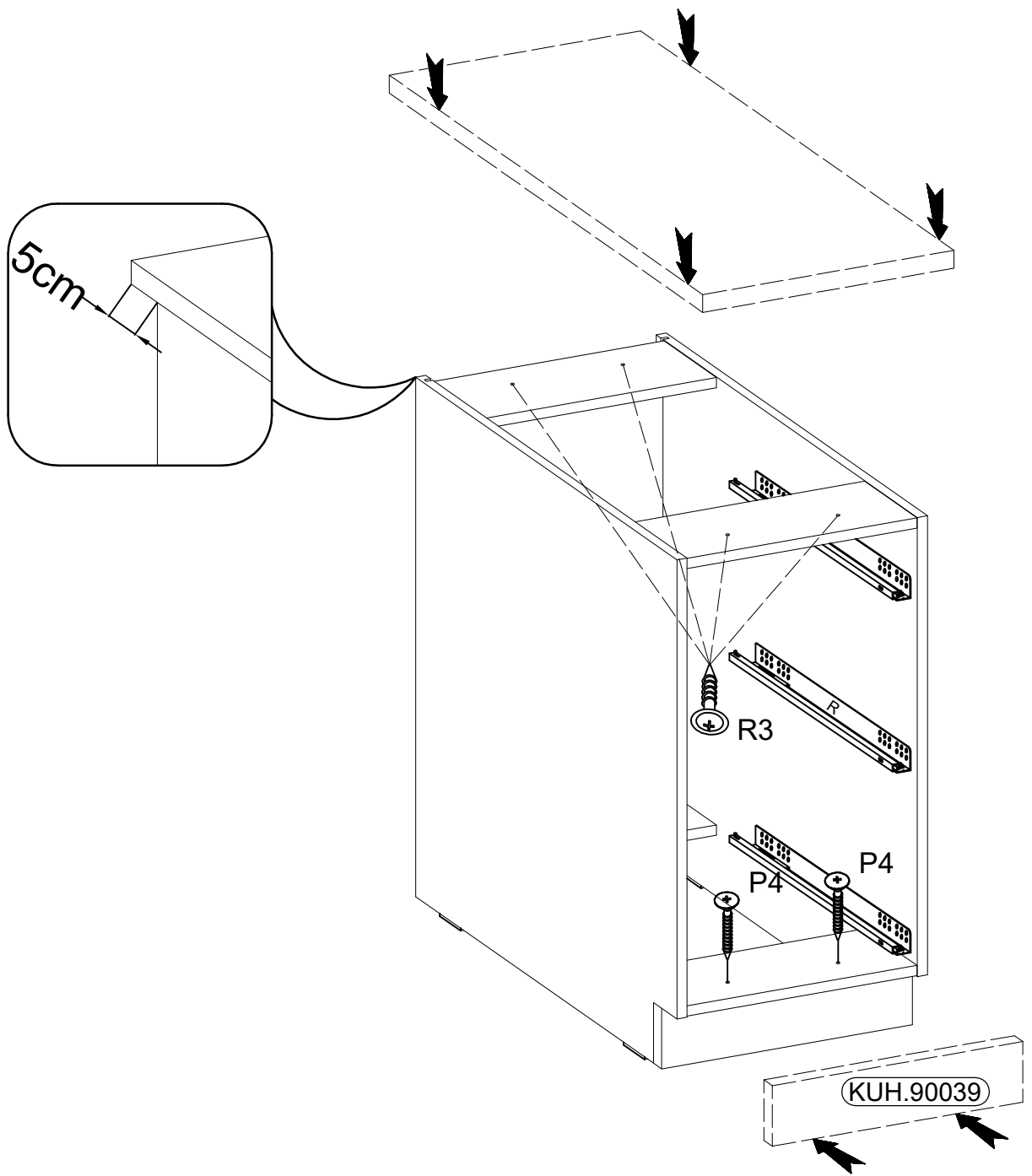
12

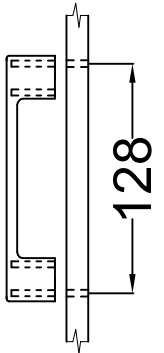
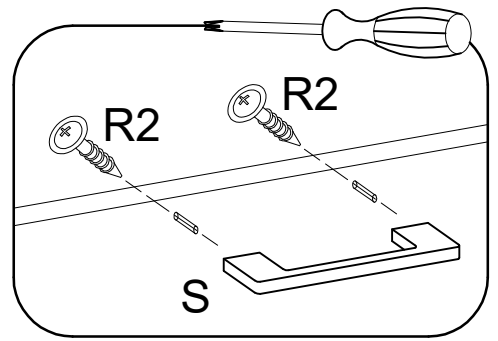
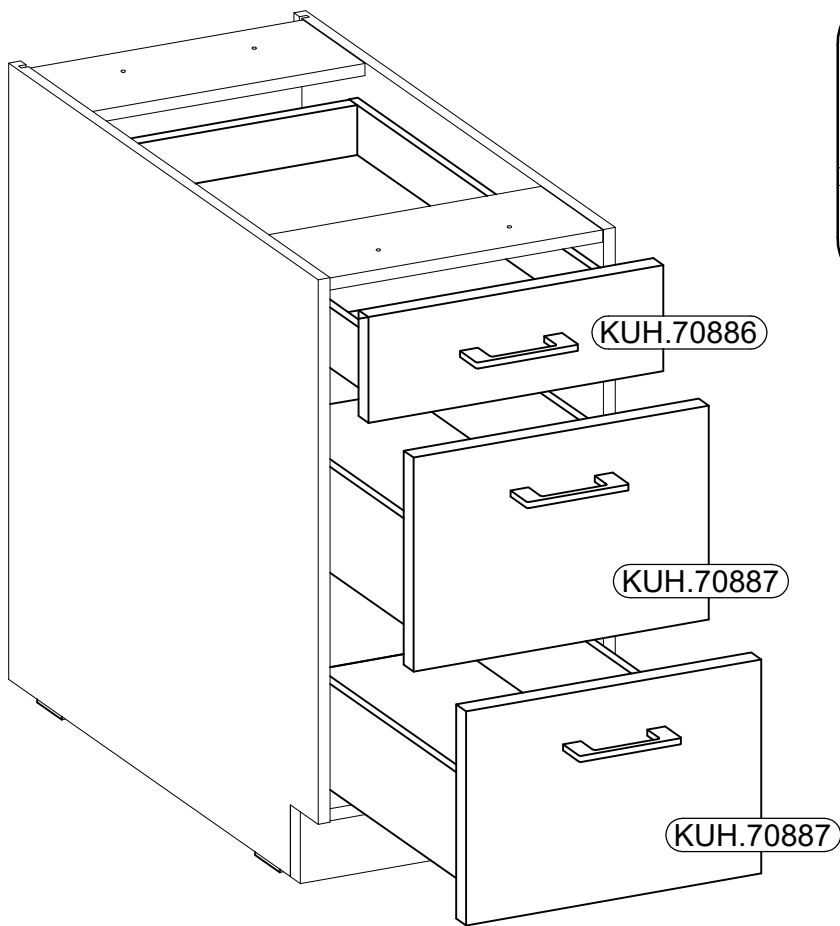


13

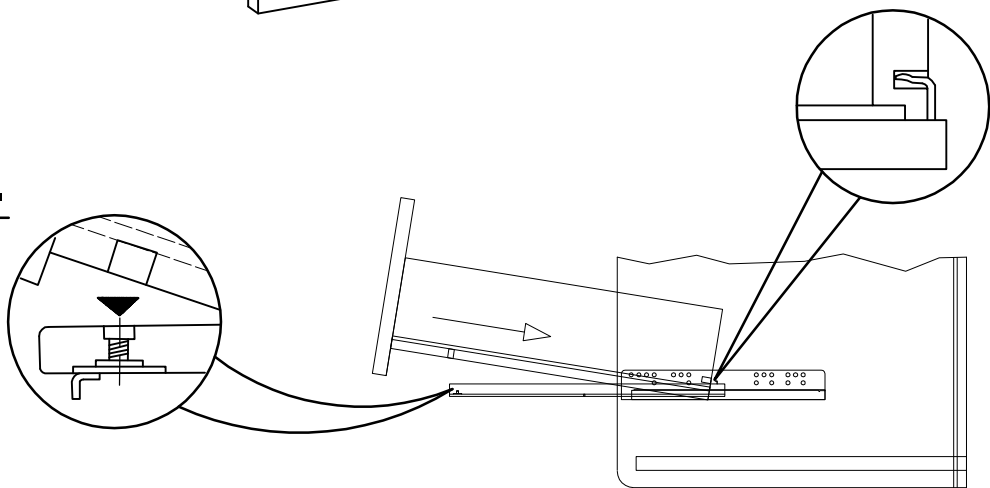


Ø4.0x45mm  P4 2	 E9 2	Ø4.0x35mm  R3 4
--	---	--

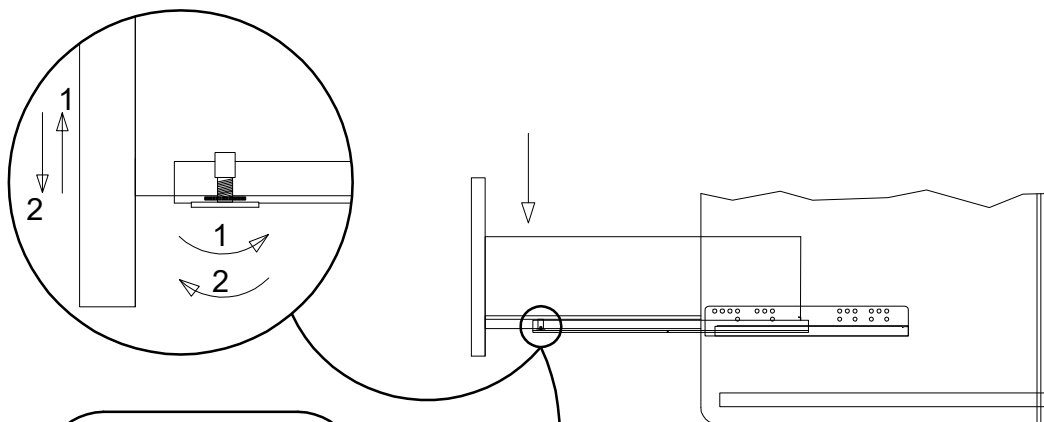




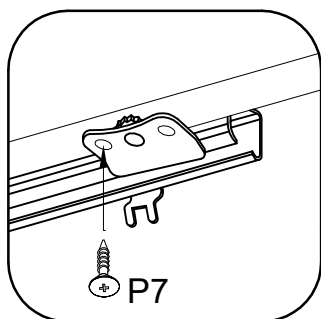
1.






2.



3.



 R2 6	 S 3	 P7 6
Ø4.0x30mm		Ø3.0x20mm