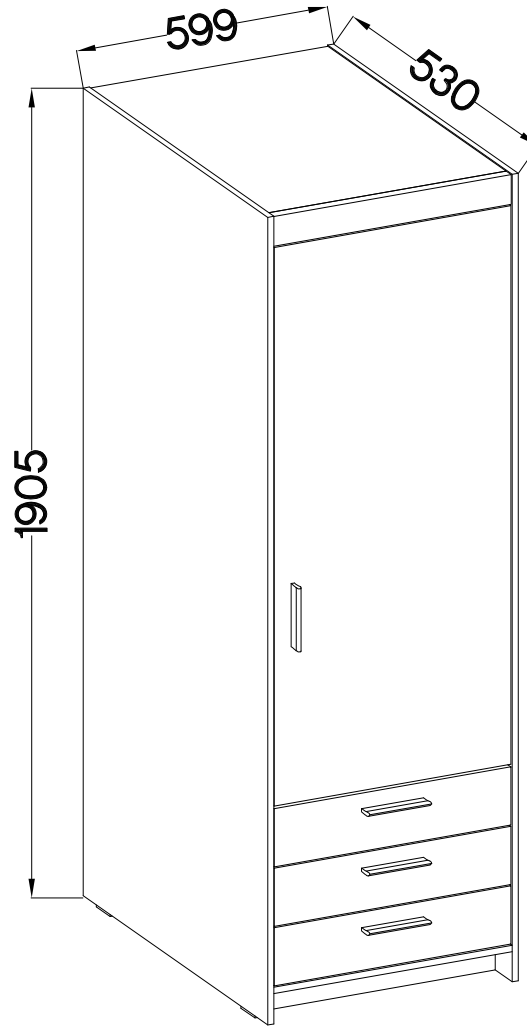
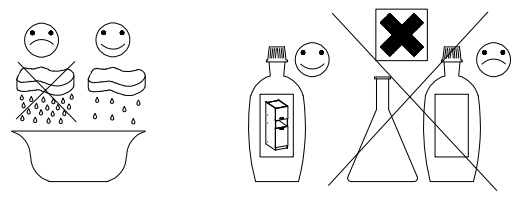
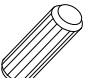





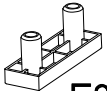
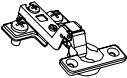

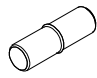
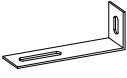








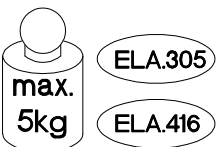
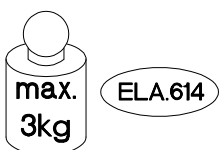
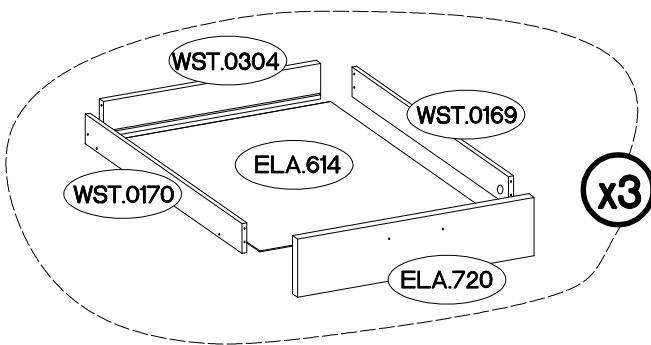
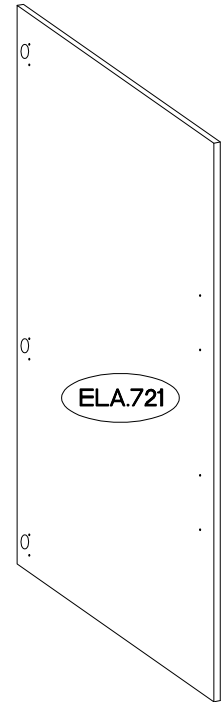
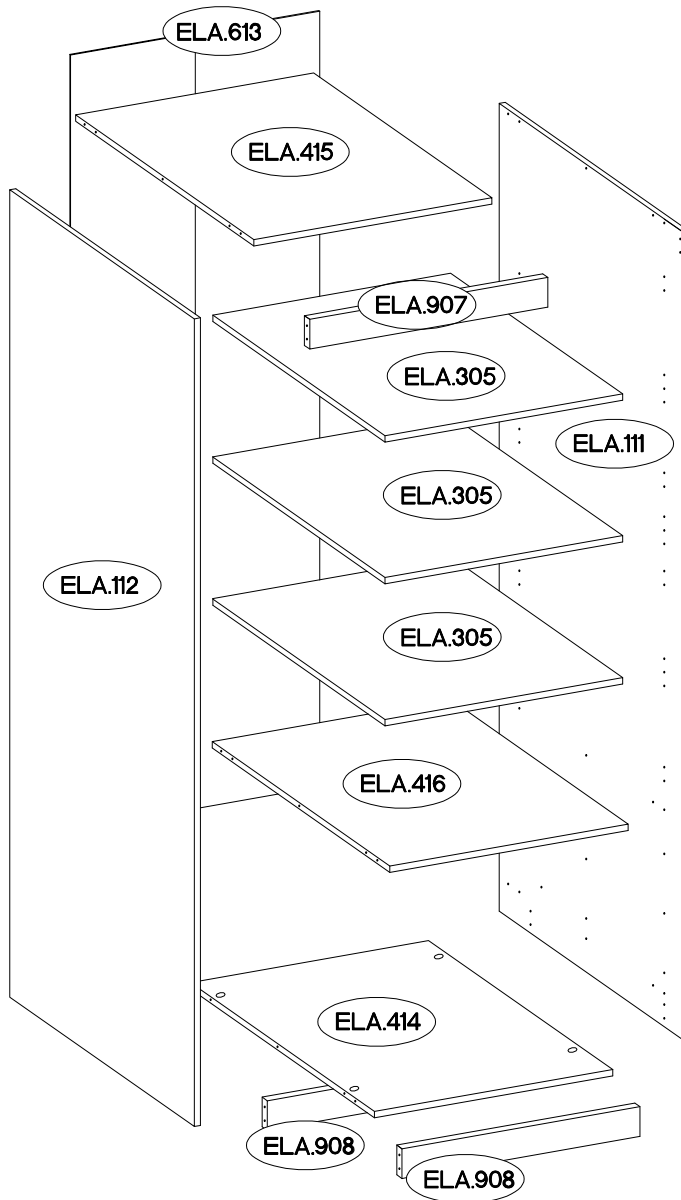


ELENA 1D 3S



 A 42	 B2 6	 C 12	 C5 6	 D2 18		
 E 8	 F2 4	 HG2 3	 I15 3	 J3 12	 L19 1	 M2 18
 M4 18	 O7 1	 P5 17	 P7 75-80	 P12 1	 S 4	 R2 8

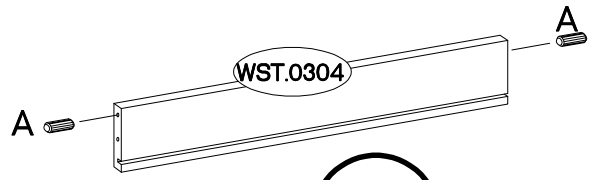
P-ISM-ELA-15



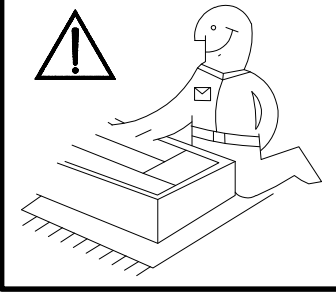
Colli	Ersatzteil Nummer	Dimension
Colli 1/2	ELA.305 x3	568x495x15
	ELA.414	569x529x15
	ELA.415	569x512x15
	ELA.416	569x510x15
	ELA.614 x3	542x448x2,5
	ELA.907	569x70x15
	ELA.908 x2	569x70x15
	WST.0169 x3	450x70x12
	WST.0170 x3	450x70x12
WST.0304 x3	519x84x12	

Colli	Ersatzteil Nummer	Dimension
Colli 2/2	ELA.111	1900x530x15
	ELA.112	1900x530x15
	ELA.613	1825x595x2,5
	ELA.720 x3	565x137x15
	ELA.721	1314x565x15

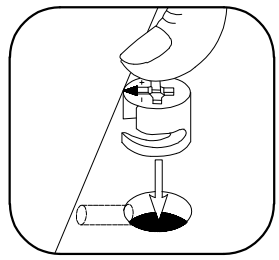
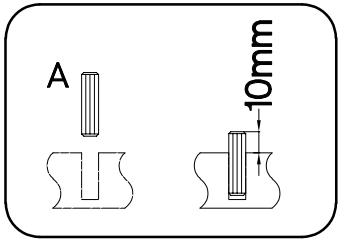
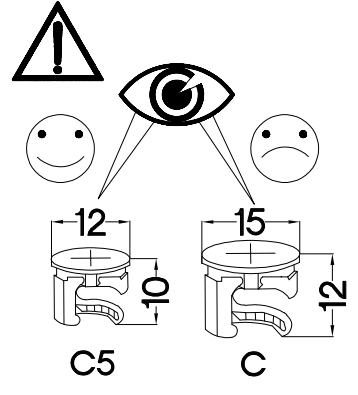
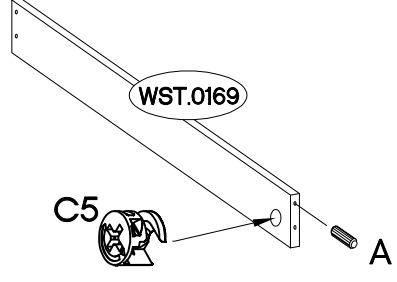
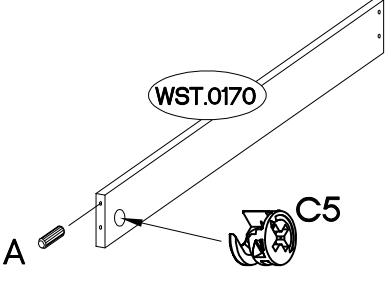
1



$\pm 12/10\text{mm}$ C5 6	$\pm 8 \times 30\text{mm}$ A 12
-------------------------------------	---

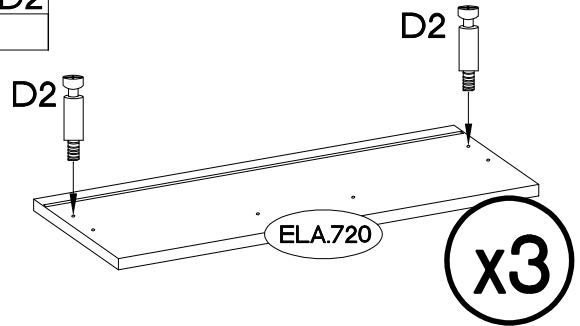


x3



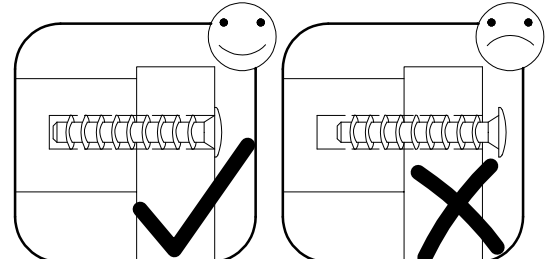
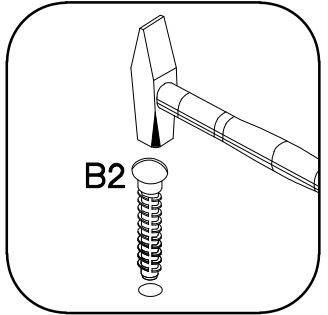
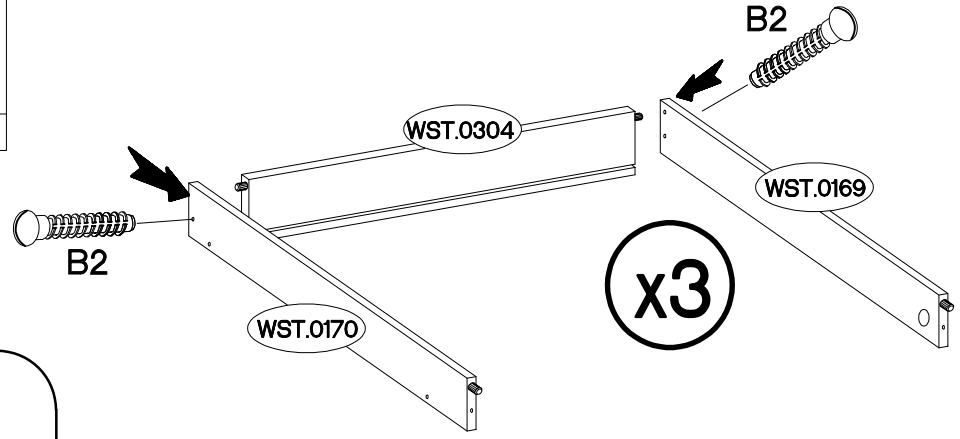
2

$L=20\text{mm}$ D2 6

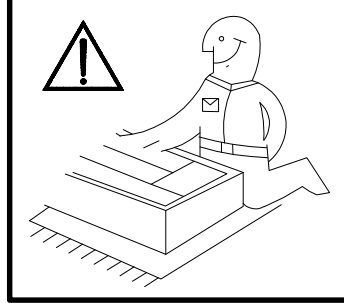
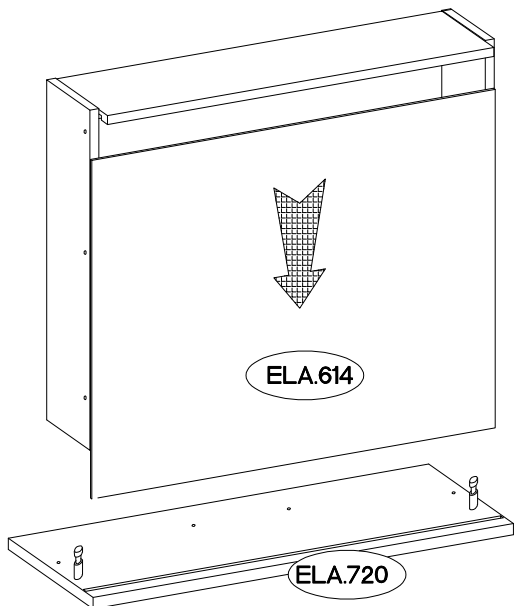


3

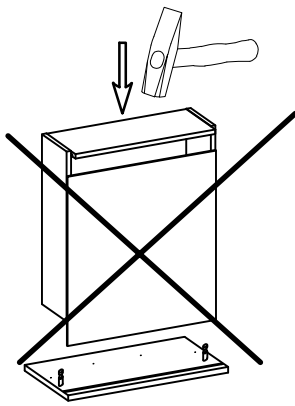
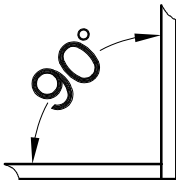
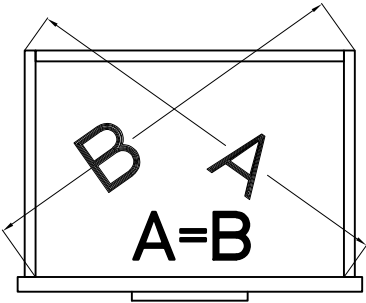
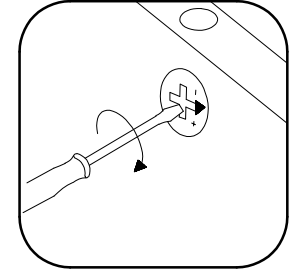
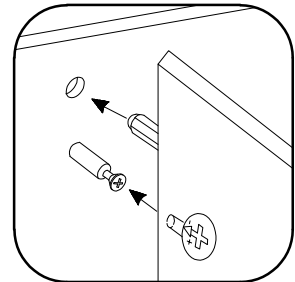
$\pm 6 \times 42\text{mm}$ B2 6






4



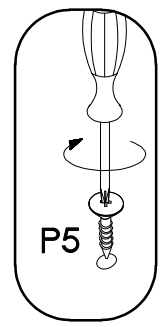
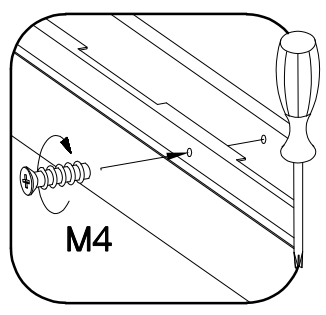
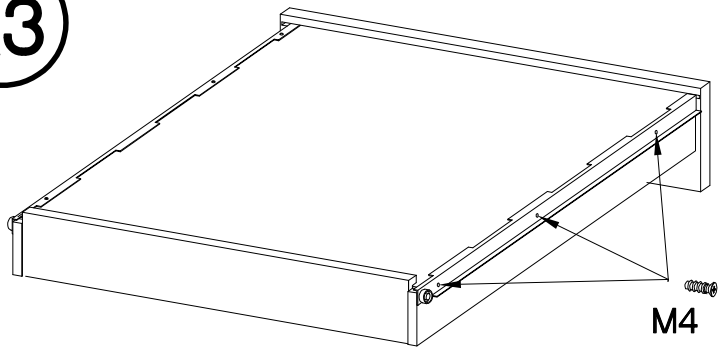
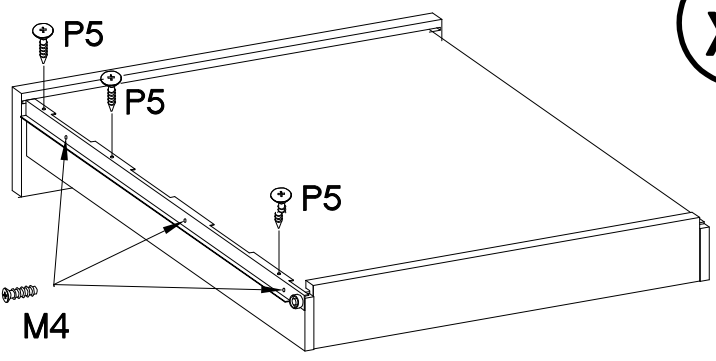
x3

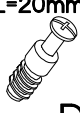
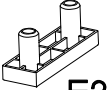




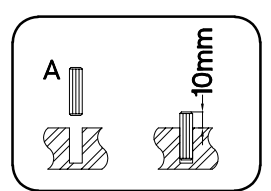
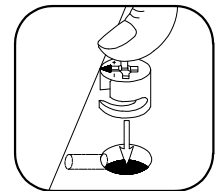
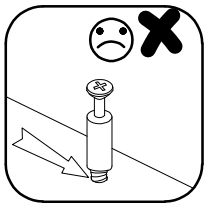
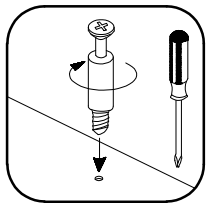
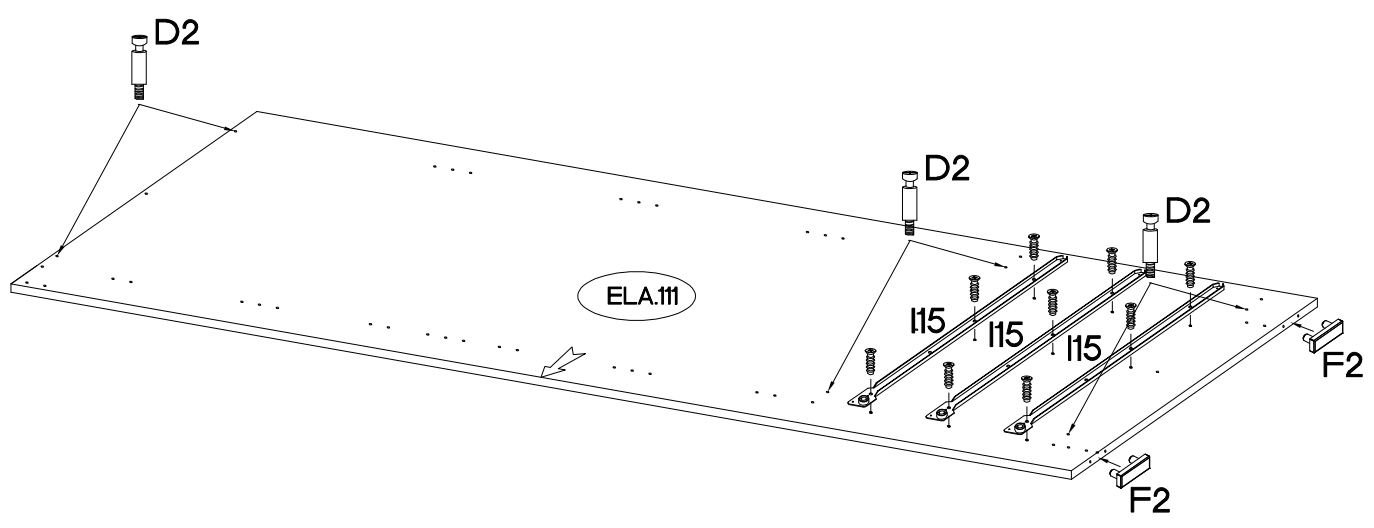
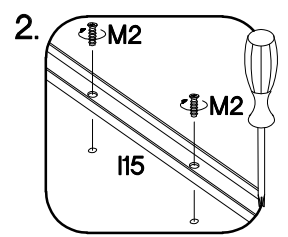
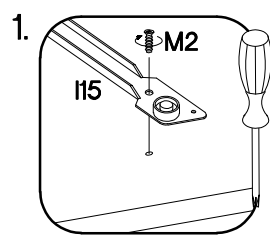
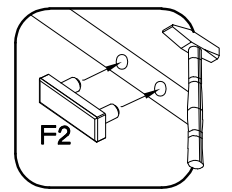
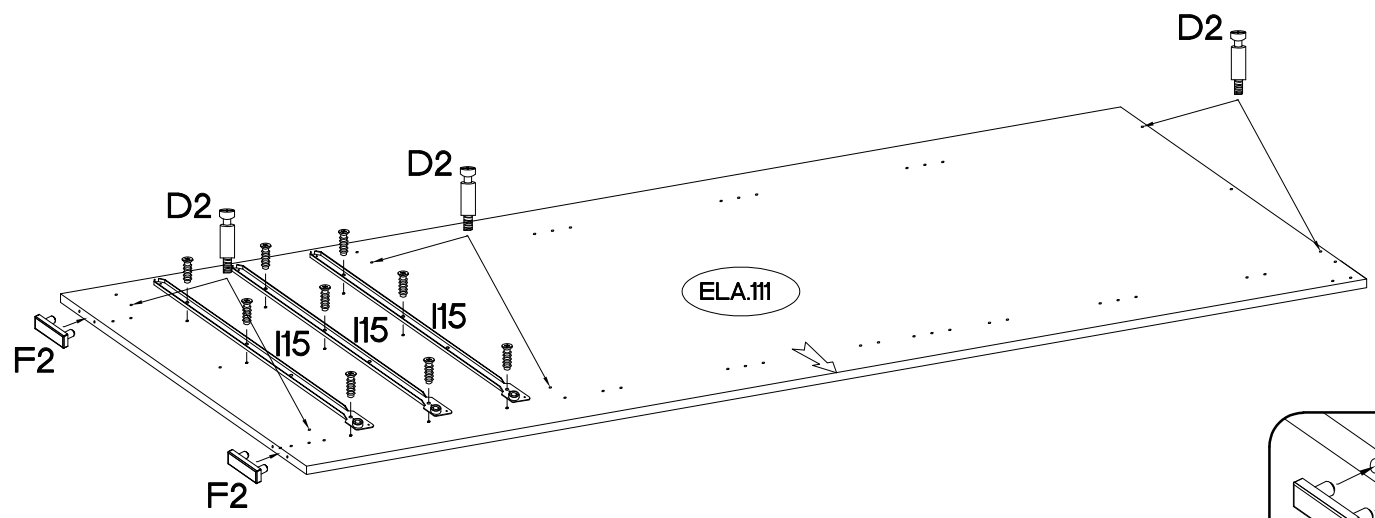
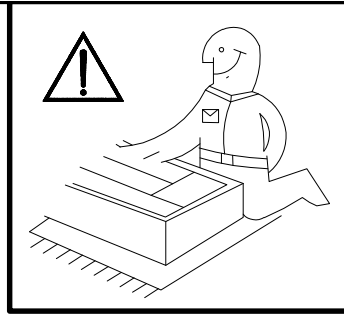
5



L=450mm	+6,3x9,5mm	+3.5x13mm
		
115	M4	P5
3	18	9

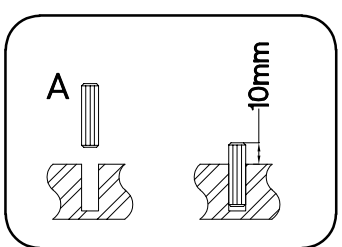
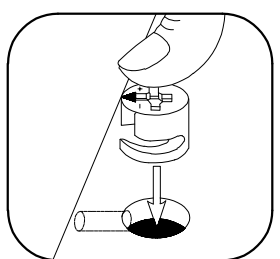
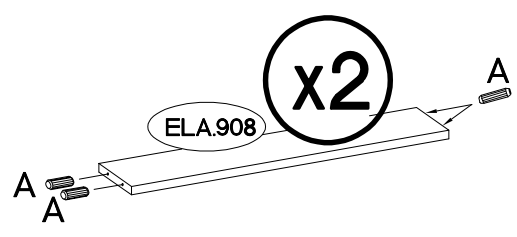
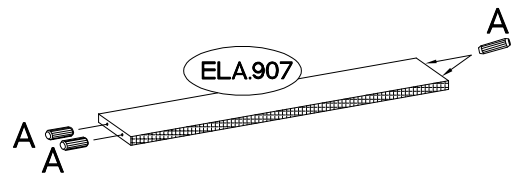
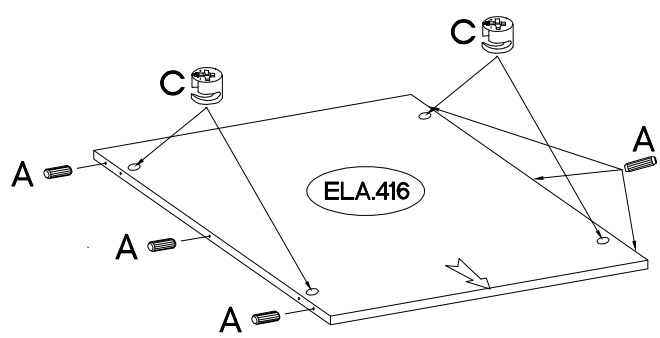
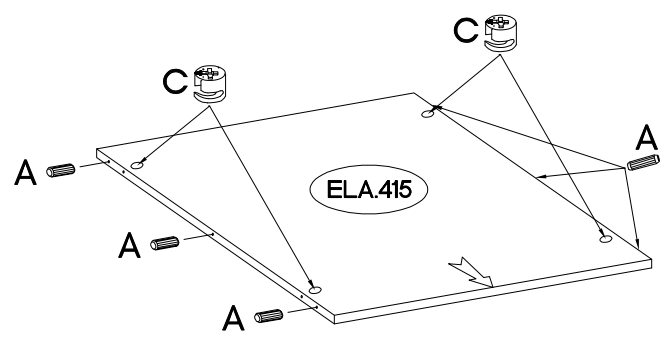
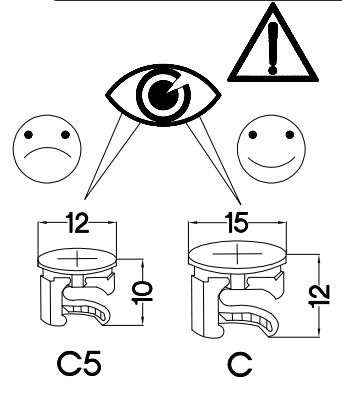
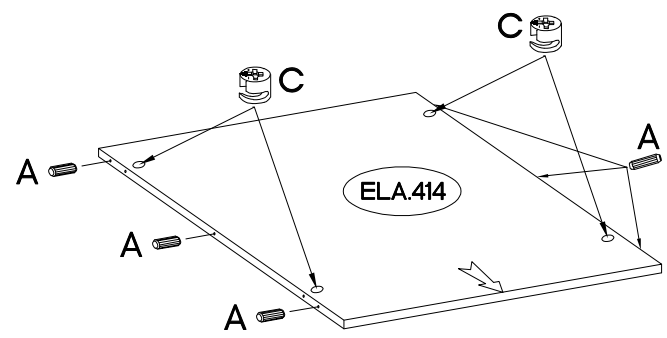
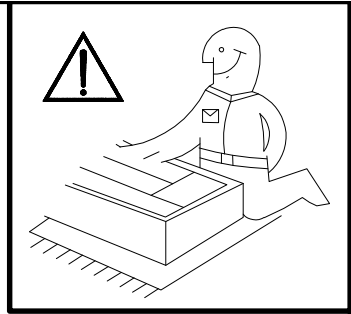
x3



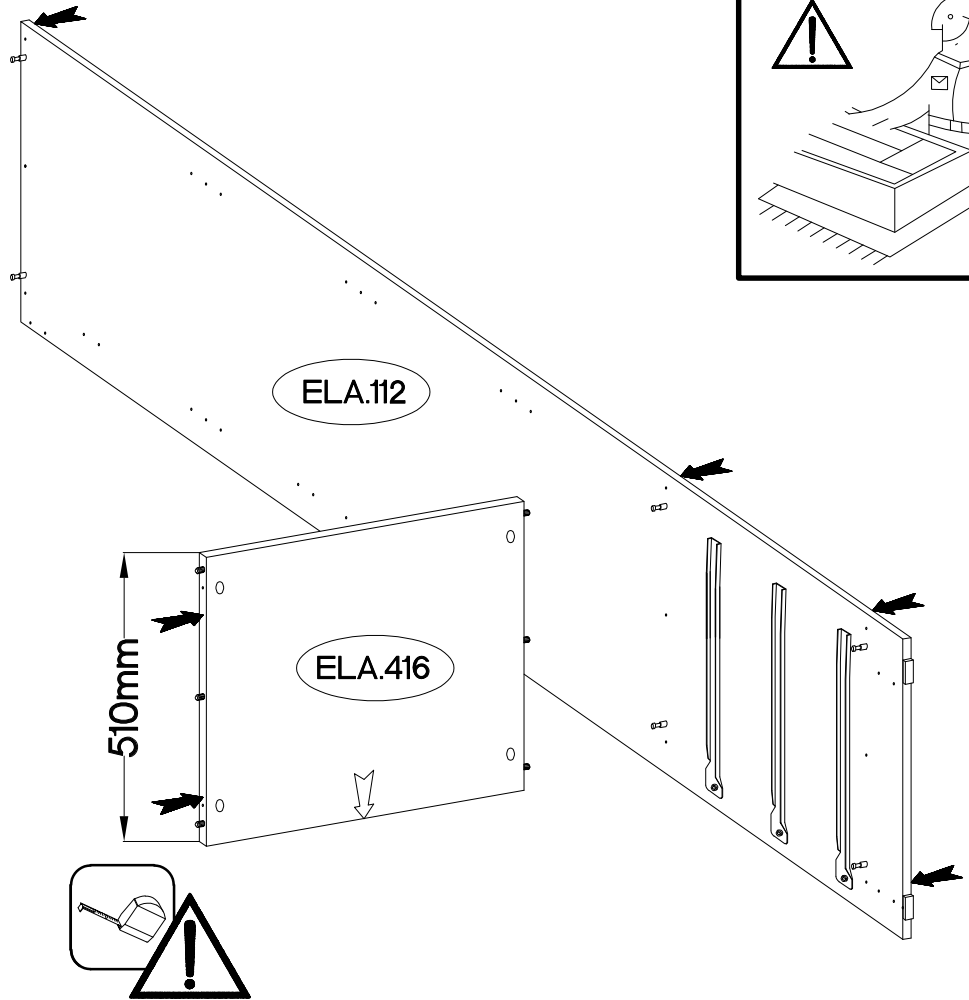
L=20mm  D2 12	6.5x48x16  F2 4	L=450mm  I15 3	+6,3x13mm  M2 18
--	--	---	---



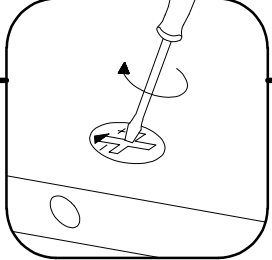
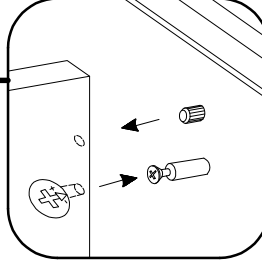
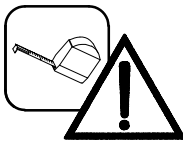
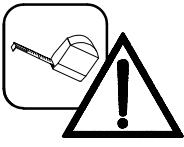
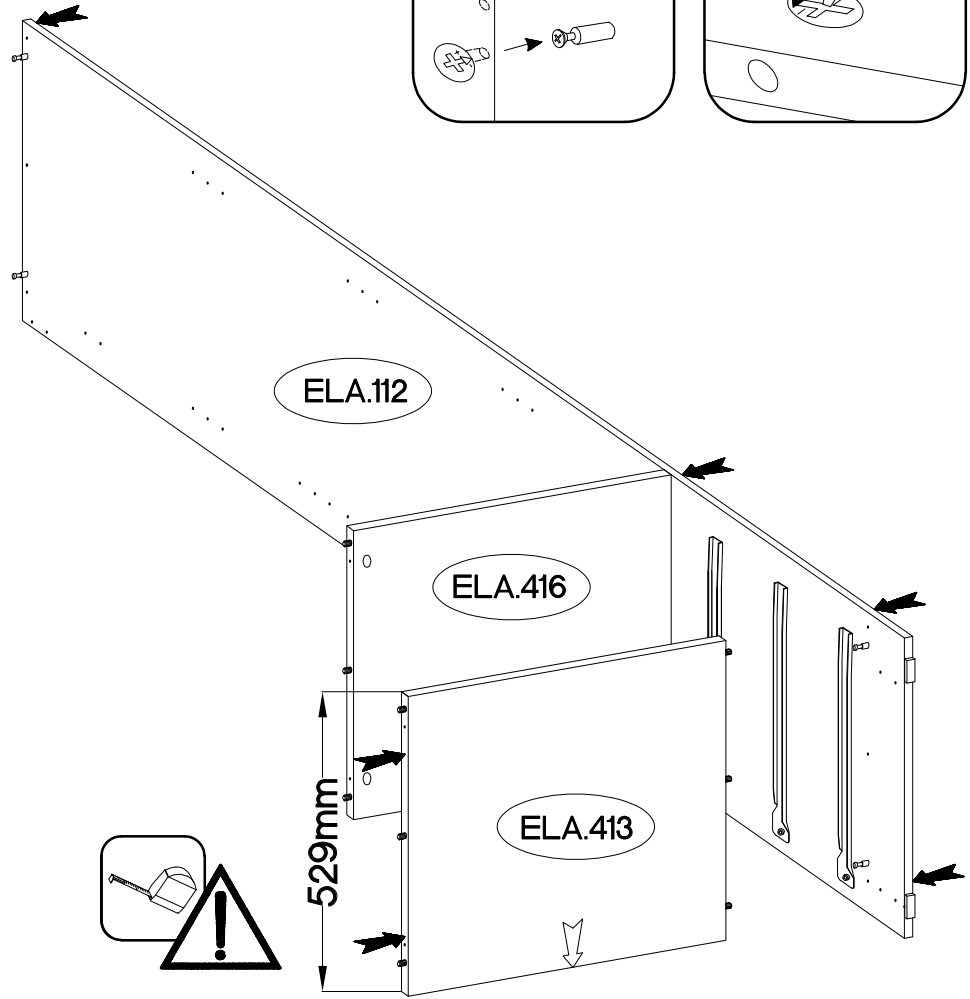
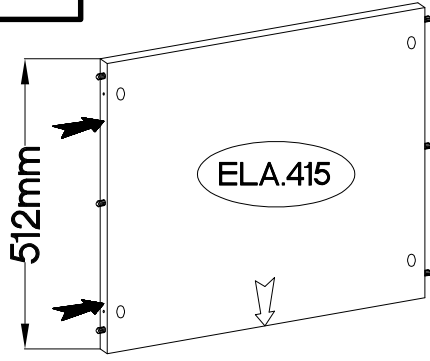
 <p>±8x30mm A</p>	 <p>±15/12mm C</p>
30	12



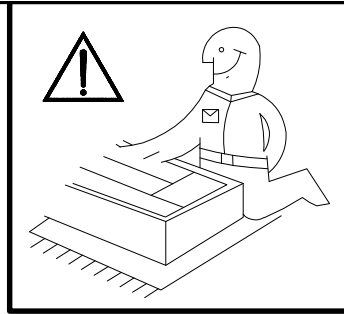
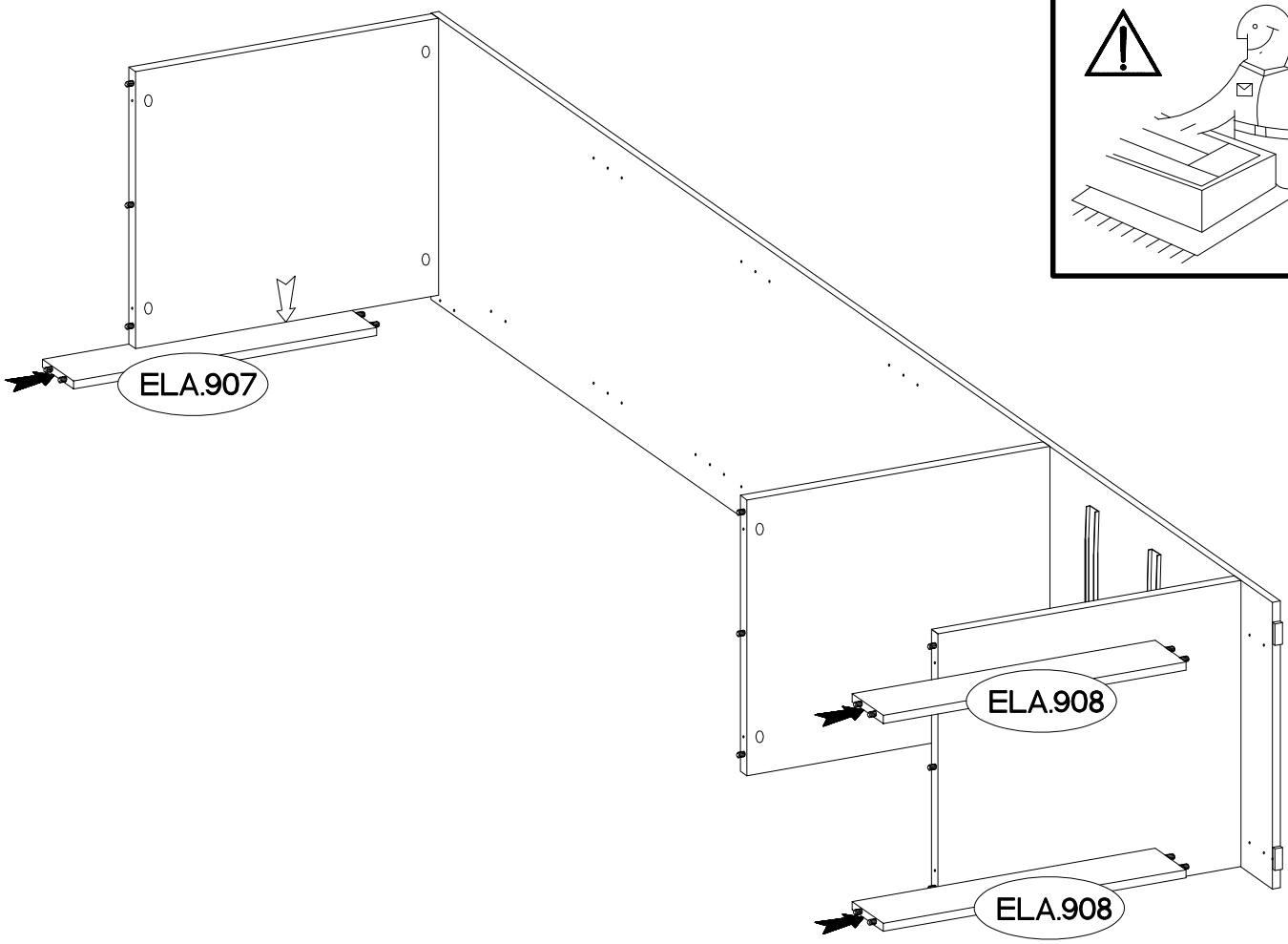
8



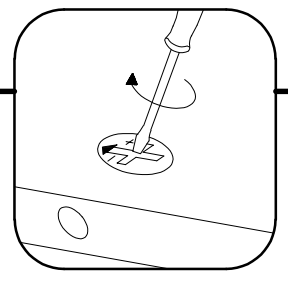
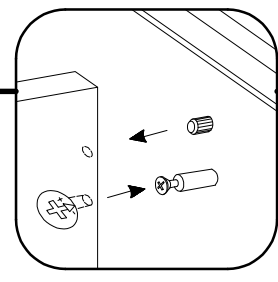
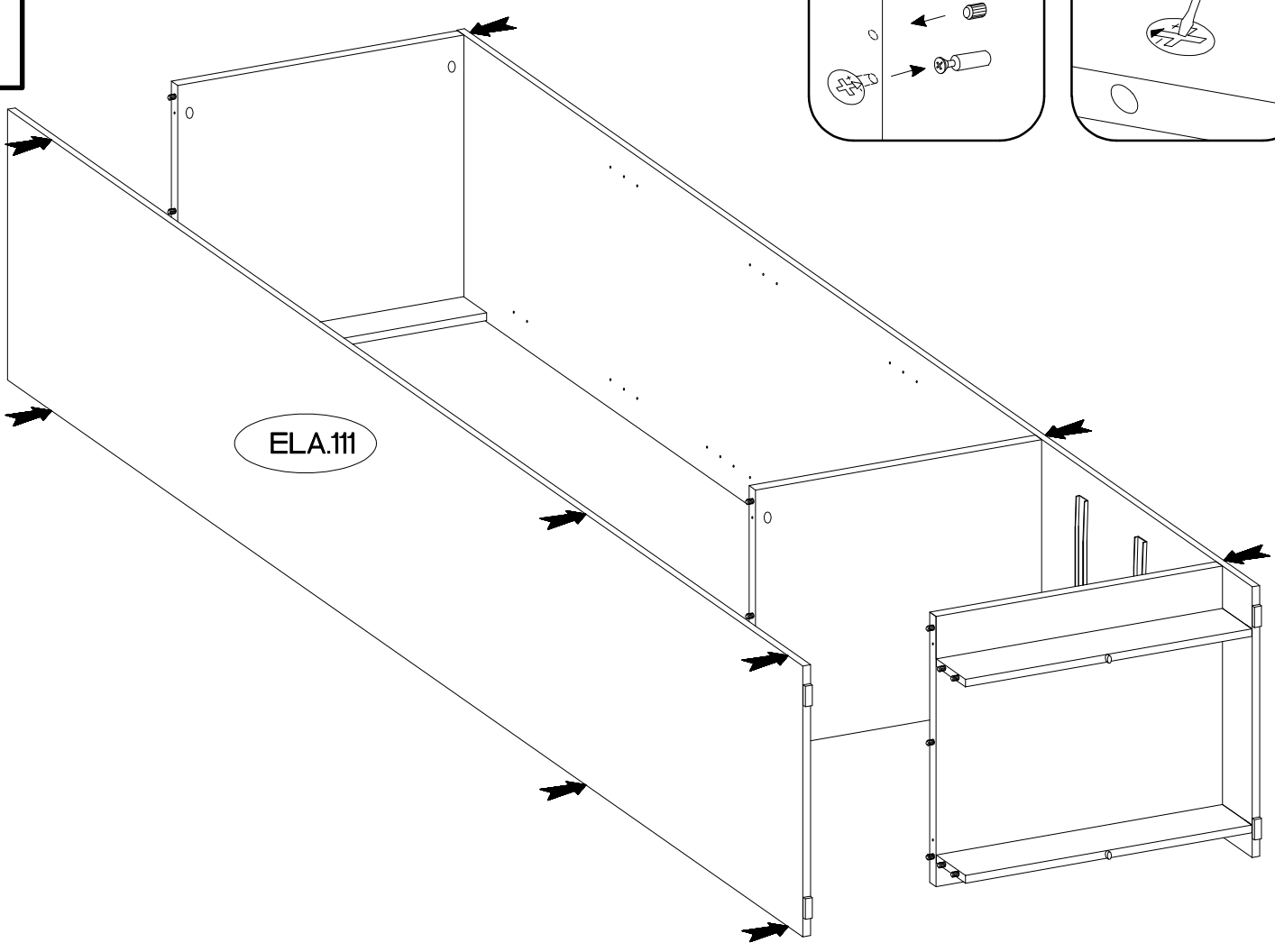
9



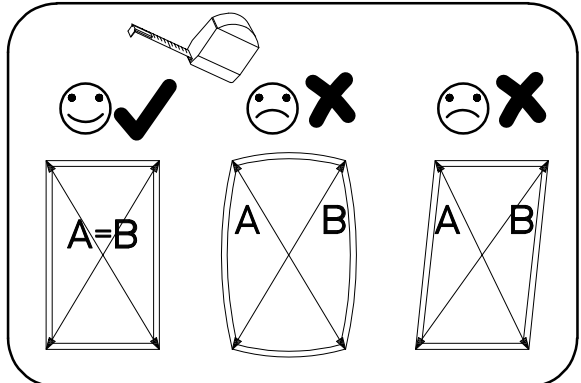
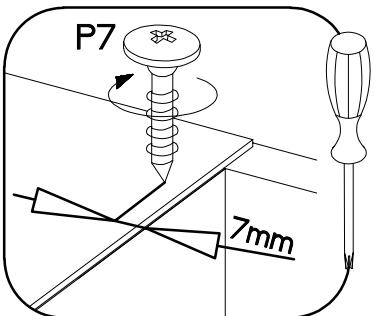
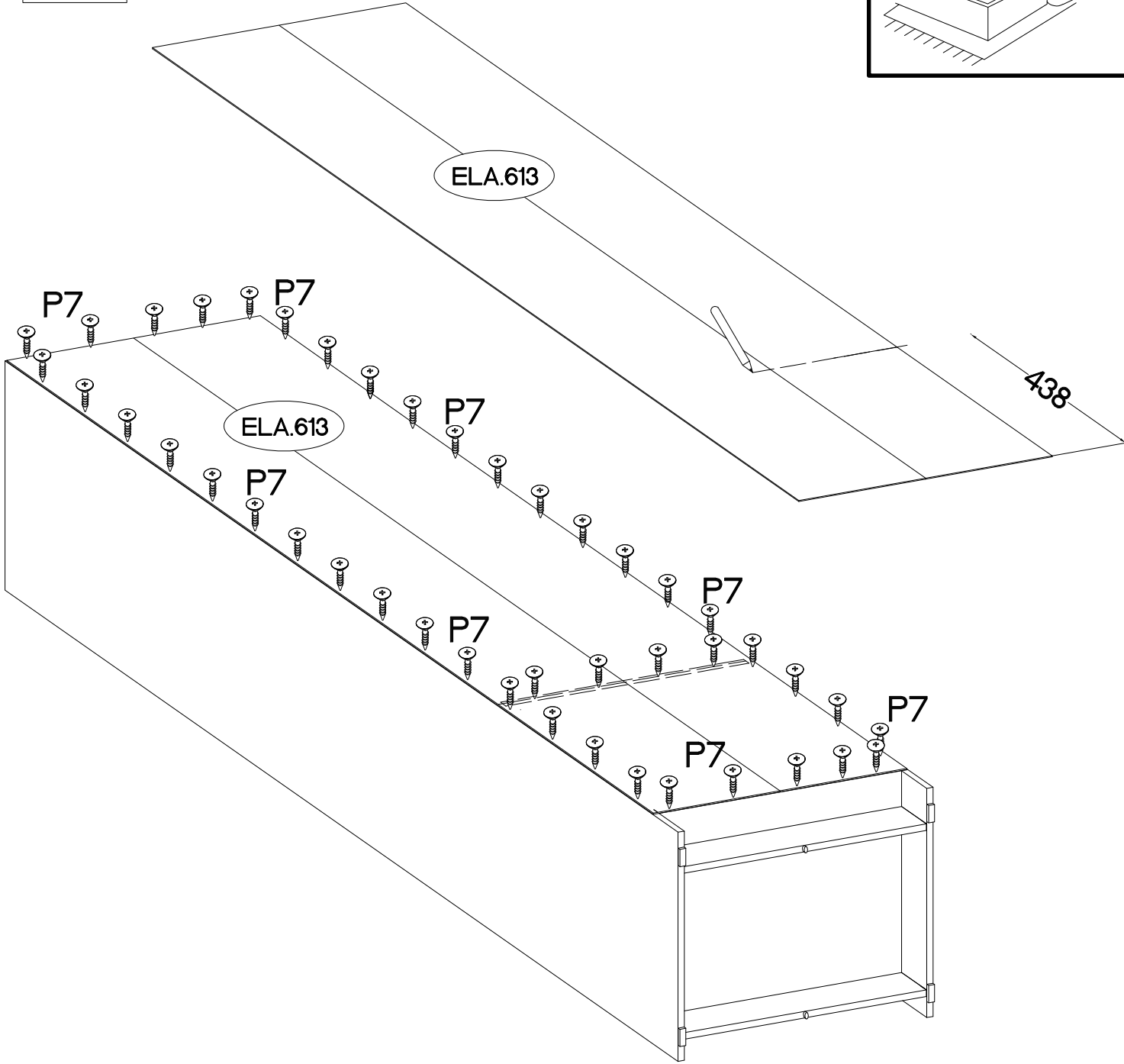
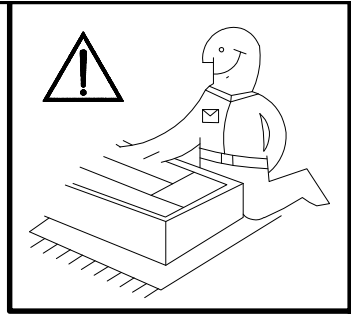
10

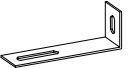





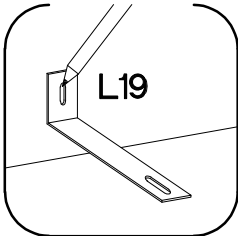
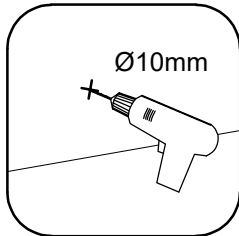
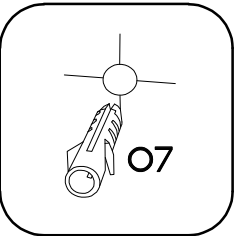
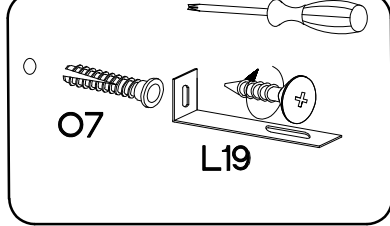
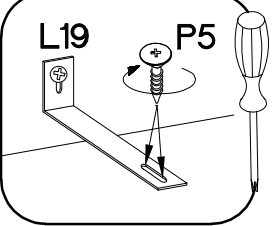
11

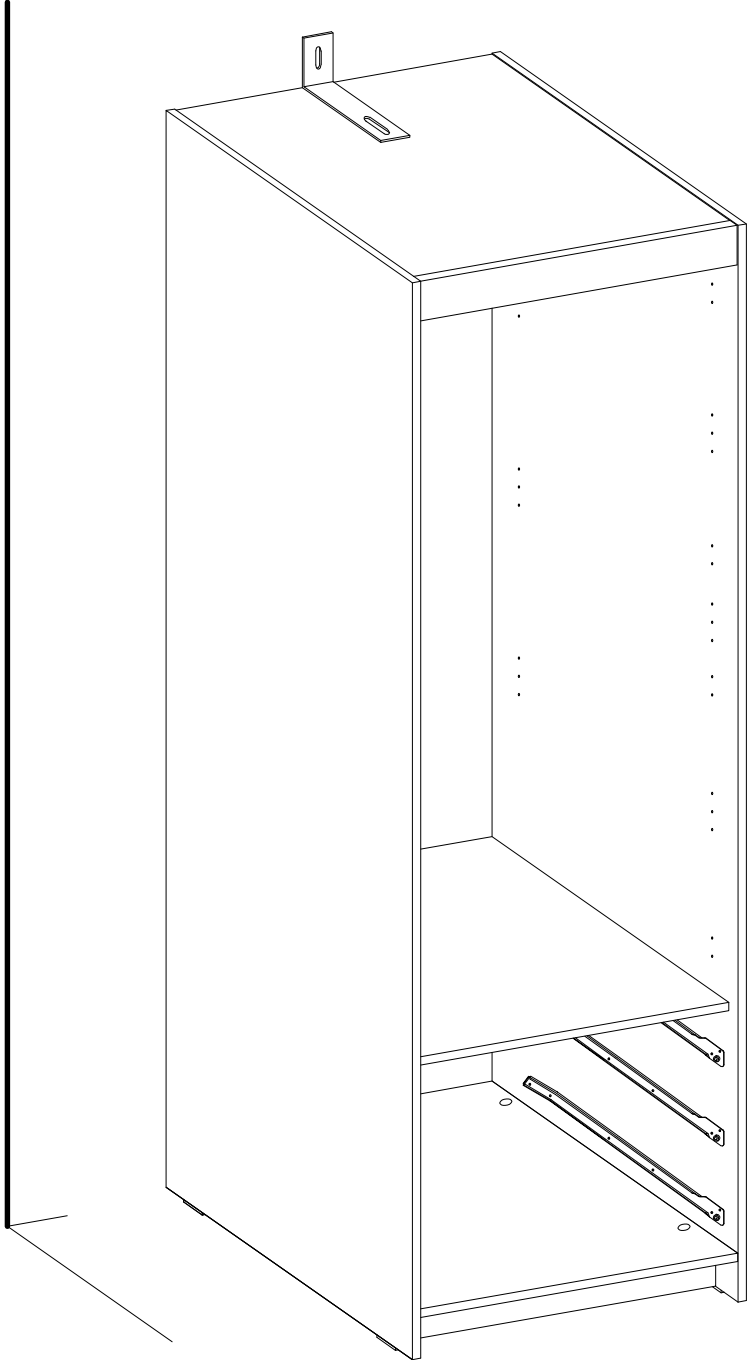
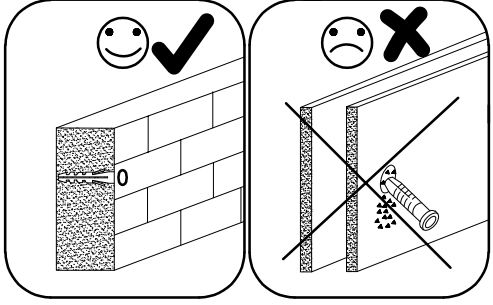


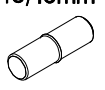



∅3.0x20mm
P7
75-80

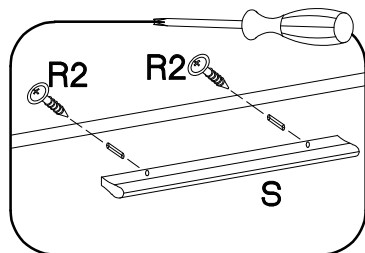
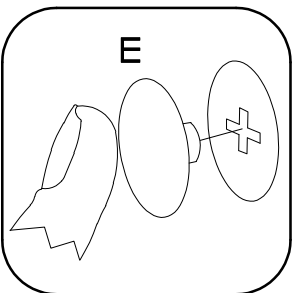
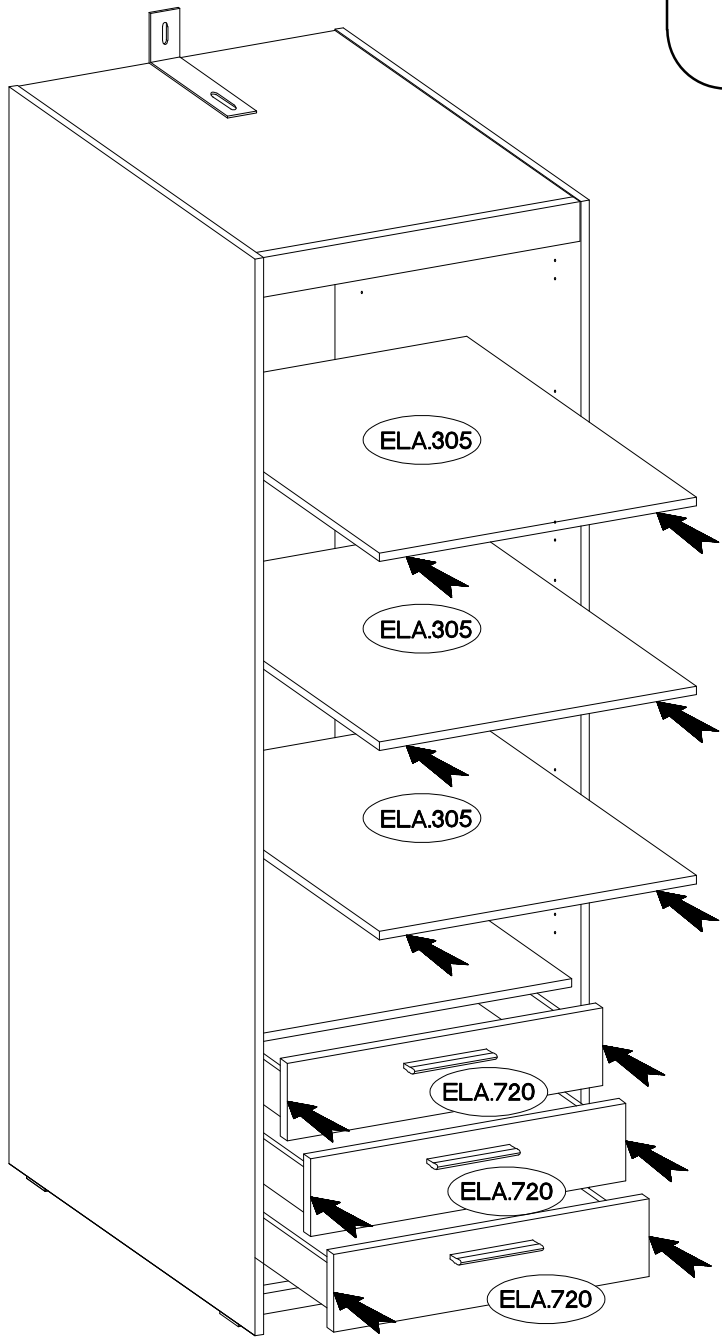
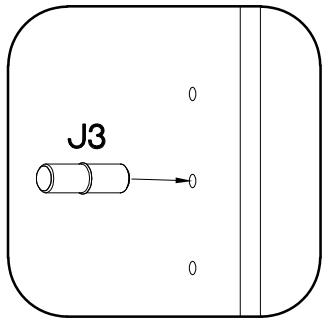


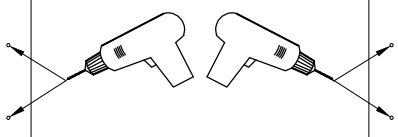
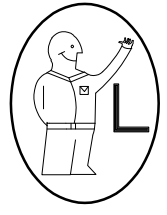
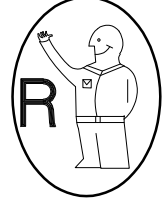
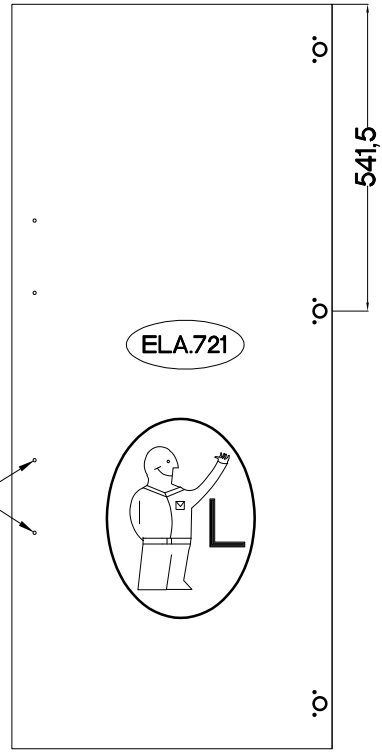
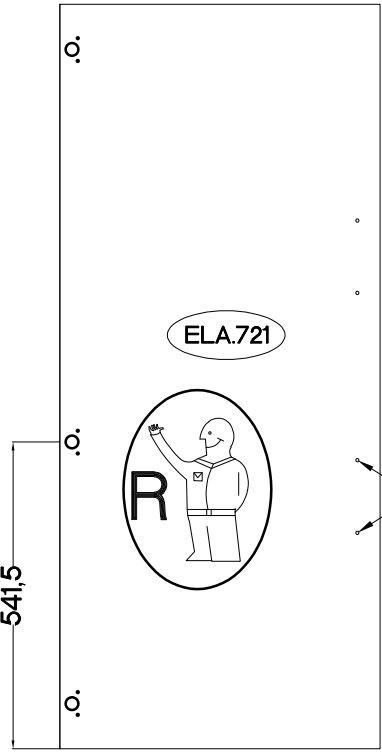
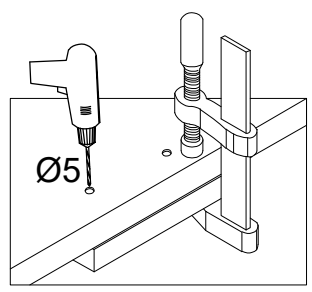
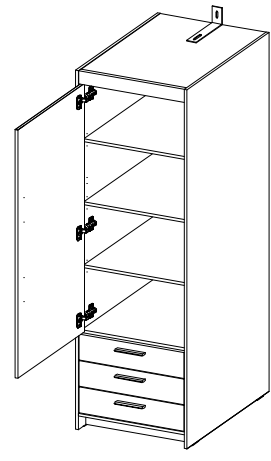
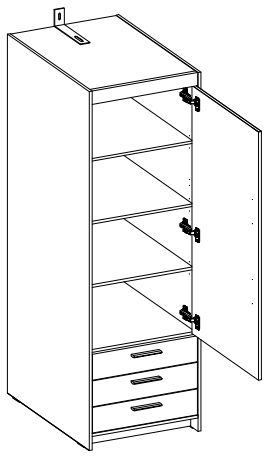
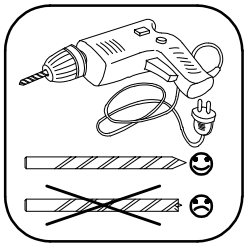
	†3.5x13mm	†5.0x60mm	†10x50mm
			
L19	P5	P12	O7
1	2	1	1



- 
- 
- 
- 
- 

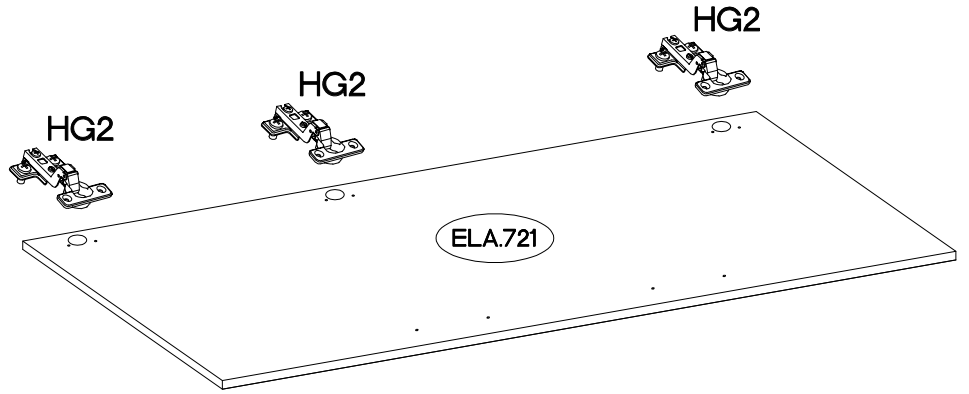
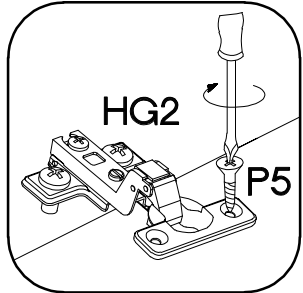


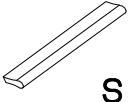

 +5/16mm J3	 L=128mm S	 +4.0x30mm R2	 E
12	3	6	12





 †35/16mm HG2 3	 †3.5x13mm P5 6
--	--



L=128mm	+4.0x30mm
 S	 R2
1	2

